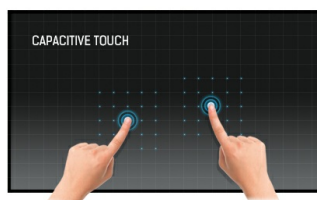




**15.6” Full HD PCAP 10pt touchscreen monitor with IPS panel technology, integrated media player and a hinged stand on the back**

With 1920x1080 Full HD resolution and Projective Capacitive 10 point touch technology, the ProLite T1624MSC delivers seamless and accurate touch response. Featuring IPS Panel technology, it offers exceptional colour performance and wide viewing angles, making it an excellent choice for a vast array of demanding interactive applications. Users can benefit from its hinged stand allowing the monitor to lay down completely flat for use as a tablet. The T1624MSC comes equipped with several inputs and a SD card slot, as well as stereo speakers delivering good quality sound. An ideal screen for small interactive Digital Signage, InStore Retail and interactive presentations purposes.



**Touch technology - Capacitive**

This technology uses a sensor-grid of micro-fine wires integrated into the glass that covers the screen. Touch is detected because electrical characteristics of the sensor grid change when human finger is placed on the glass. Thanks to the glass overlay this technology is highly durable, and the touch function remains unaffected even if the glass is scratched. It offers perfect picture performance and will work with human finger (also latex gloved) and stylus-pen.



**Media player**

Play your favourite music and show your most beautiful videos, photos and images directly on screen from a flash drive or internal memory with the built-in media player.

## 01 DISPLAY CHARACTERISTICS

<b>Design</b>	Edge to edge glass
<b>Diagonal</b>	15.6", 39.5cm
<b>Panel</b>	IPS Panel Technology, LED
<b>Native resolution</b>	1920 x 1080 (2.1 megapixel HD)
<b>Aspect ratio</b>	16:9
<b>Panel brightness</b>	450 cd/m <sup>2</sup>
<b>Brightness</b>	385 cd/m <sup>2</sup> with touch
<b>Light transmittance</b>	85%
<b>Static contrast</b>	800:1 with touch
<b>Response time (GTG)</b>	25ms
<b>Viewing zone</b>	horizontal/vertical: 170°/170°, right/left: 85°/85°, up/down: 85°/85°
<b>Colour support</b>	16.7mln 8bit
<b>Horizontal Sync</b>	30. - 84.kHz
<b>Viewable area W x H</b>	344.16 x 193.59mm, 13.5 x 7.6"
<b>Pixel pitch</b>	0.17925mm
<b>Bezel colour and finish</b>	black, matte

## 02 TOUCH

<b>Touch technology</b>	projective capacitive
<b>Touch points</b>	10
<b>Touch method</b>	finger, glove (latex), capacitive stylus
<b>Touch interface</b>	USB

## 03 INTERFACES / CONNECTORS / CONTROLS

<b>Digital signal input</b>	HDMI x1
<b>Audio input</b>	Mini jack x1
<b>Audio output</b>	Speakers 2 x 2W
<b>USB ports</b>	x2 (2.0)

## 04 FEATURES

<b>Extra</b>	media player, SD card slot
<b>Max. non-stop operating time</b>	24/7
<b>Glass thickness</b>	1.8mm
<b>Glass hardness</b>	6H
<b>OSD key lock</b>	yes

## 05 GENERAL

<b>Control buttons</b>	Power/Input select, navigation button (up, down, left, right, play/enter, pause), menu/exit
<b>User controls</b>	Photo, music, video, calendar, settings (OSD language, auto play, repeat mode, slideshow time, time, display mode, brightness, contrast, saturation, auto power, restore factory mode)

## 06 MECHANICAL

Orientation landscape, portrait, face-up

VESA mounting 100 x 100mm

## 07 ACCESSORIES INCLUDED

Cables USB, HDMI

Guides quick start guide, safety guide

Other AC adapter

## 08 POWER MANAGEMENT

Power supply unit external

Power supply DC 12 V

Power usage 7W typical, 0.5W stand by, 0.1W off mode

## 09 SUSTAINABILITY

Regulations CE, RoHS support, ErP, WEEE, REACH, UKCA

Energy efficiency class (Regulation (EU) 2017/1369) E

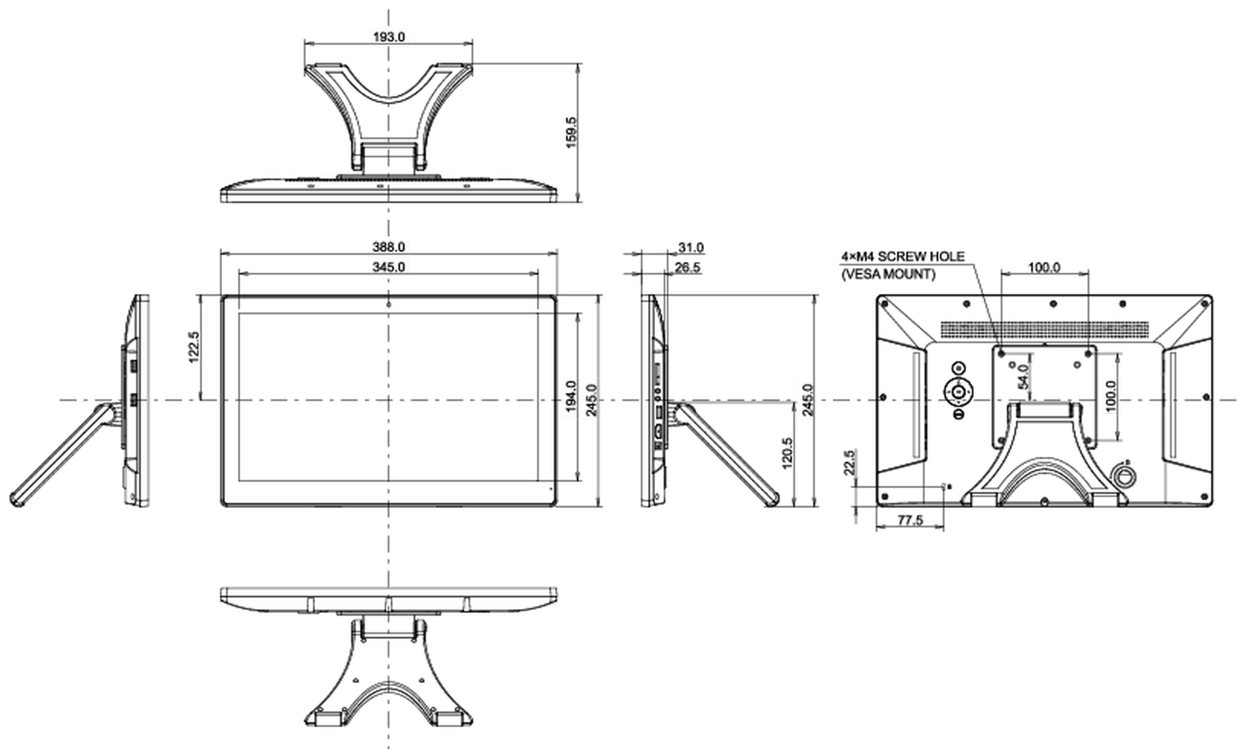
REACH SVHC above 0.1%: Lead

## 10 DIMENSIONS / WEIGHT

Product dimensions W x H x D 388 x 245 x 159.5mm

Weight (without box) 2.6kg

EAN code 4948570120451



*All trademarks and registered trademarks acknowledged. E & O E. Specification subject to change without notice. All LCD's comply with ISO-9241-307:2008 in connection with pixel defects.*

© IYAMA CORPORATION. ALL RIGHTS RESERVED