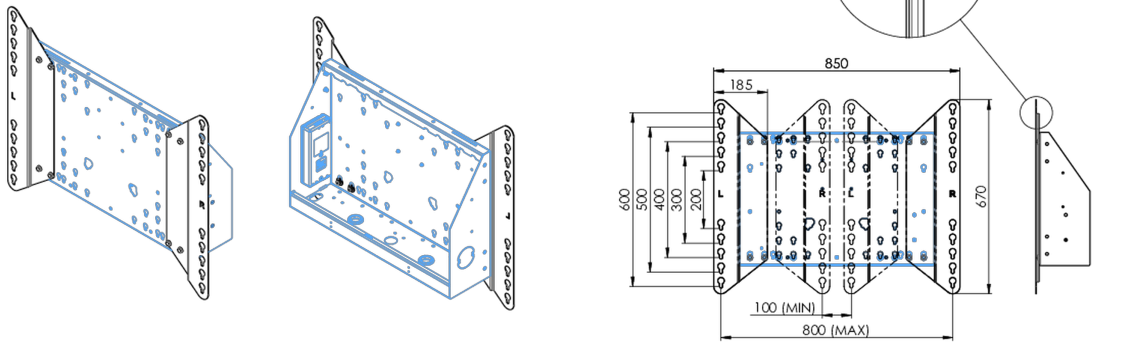


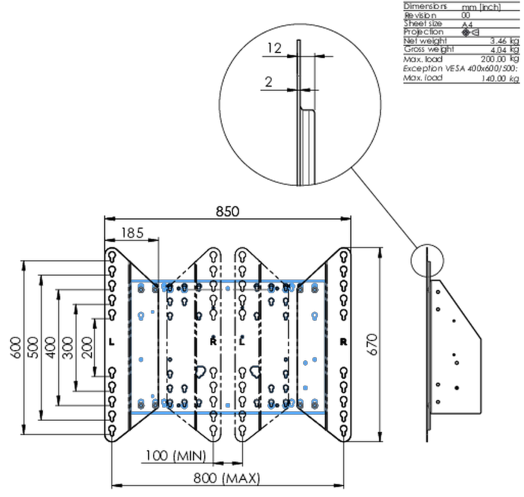
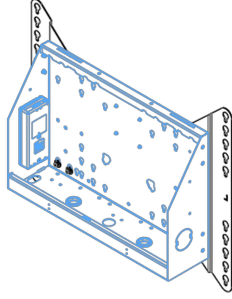
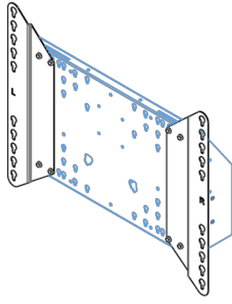
01 TEKNİK ÖZELLİK

Tip	Adapter set
Maksimum ağırlık kapasitesi	200kg / monitör
VESA minimum	800 x 200mm
VESA maksimum	800 x 600mm



02 ÖLÇÜLER / AĞIRLIK

Ağırlık (kutu hariç)	3.46kg
EAN kodu	4948570032570



### 03 İLGİLİ BİLGİ

İlgili ürünler

[MD 062B7275 A](#), [MD 062B7295](#), [MD 052W7150](#)

All trademarks and registered trademarks acknowledged. E & O E. Specification subject to change without notice. All LCD's comply with ISO-9241-307:2008 in connection with pixel defects.

© IYAMA CORPORATION. ALL RIGHTS RESERVED