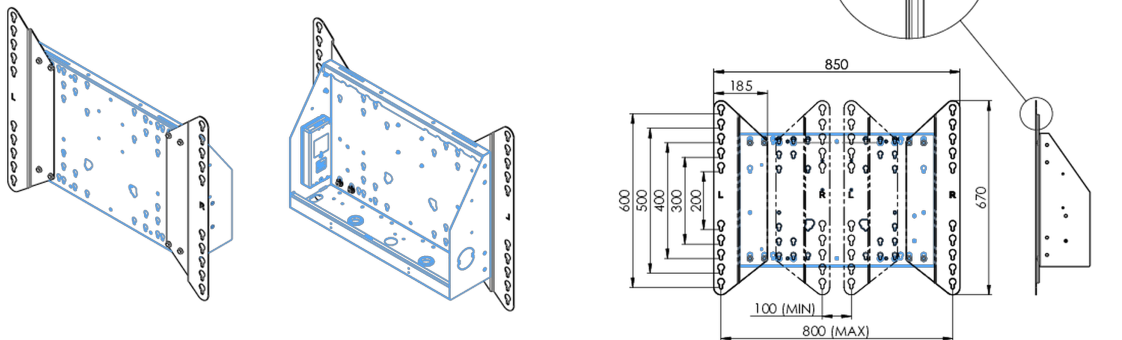


Adapter for floor lifts

Expansion set for floor lifts and cars, increases VESA compatibility from standard 600x400 up to max. 800x600.

01 TECHNICAL SPECIFICATION

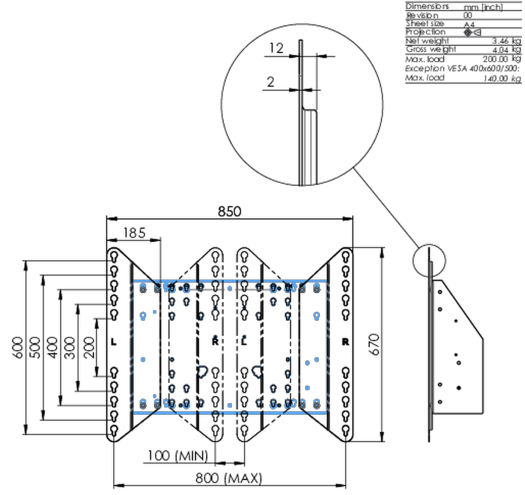
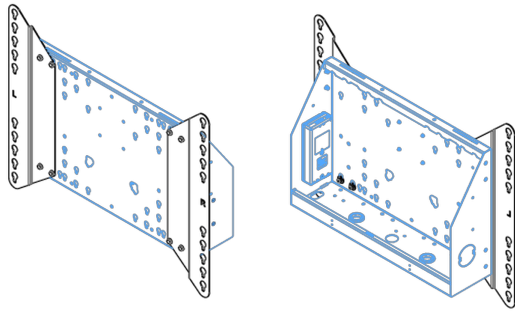
Type	Adapter set
Max weight capacity	200kg / monitor
VESA minimum	800 x 200mm
VESA maximum	800 x 600mm



Dimensions	mm (inch)
Weight	3.46 kg
Steel type	A4
Finish	SP
Net weight	3.46 kg
Gross weight	4.04 kg
Work load	200.00 kg
Exception VESA	400x600/500
Max. load	1.40.00 kg

02 DIMENSIONS / WEIGHT

Weight (without box)	3.46kg
EAN code	4948570032570



03 RELATED INFORMATION

Related products

[MD 062B7275 A](#), [MD 062B7295](#), [MD 052W7150](#)

All trademarks and registered trademarks acknowledged. E & O E. Specification subject to change without notice. All LCD's comply with ISO-9241-307:2008 in connection with pixel defects.

© IYAMA CORPORATION. ALL RIGHTS RESERVED