



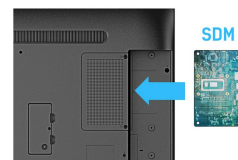
### 55" Landscape/Portrait Professional Digital Signage display, 18/7 operating time, 4K UHD resolution with Intel® SDM slot

Enjoy brighter signage with the ProLite 42 Series. Delivering a slim bezel, 500 cd/m<sup>2</sup> brightness display, which can be operated 18/7 in landscape and portrait orientation, for a choice on applications. Thanks to on-board Android 8.0, you can easily customize the display by installing applications directly to it, making it the perfect choice for Digital Signage and In-store communication.



Android OS

Thanks to Android OS, you can easily customize the display to your needs by installing applications directly to it.



Smart Display Module

A Smart Display Module (Small/Large) is a plug-in module which can easily be inserted into the most stylish and ultra-slim displays. This small sized module delivers great performance with minimum implementation and management. Available as optional.

## 01 DISPLAY CHARACTERISTICS

Design	Thin bezel
Diagonal	54.6", 138.8cm
Panel	IPS, matte finish, haze 3%
Native resolution	3840 x 2160 @60Hz (8.3 MegaPixels 4K UHD)
Aspect ratio	16:9
Panel brightness	500 cd/m <sup>2</sup>
Static contrast	1300:1
Response time (GTG)	8ms
Viewing zone	horizontal/vertical: 178°/178°, right/left: 89°/89°, up/down: 89°/89°
Colour support	1.07B 10bit
Horizontal Sync	30 - 80kHz
Viewable area W x H	1209.6 x 680.4mm, 47.6 x 26.8"
Bezel width (sides, top, bottom)	13.9mm, 13.9mm, 13.9mm
Pixel pitch	0.315mm
Bezel colour and finish	black, matte

## 02 INTERFACES / CONNECTORS / CONTROLS

Analog signal input	VGA x1 (max. 1920x1080 @60Hz)
Digital signal input	DVI x1 (max. 1920x1080 @60Hz) HDMI x2 (max. 3840x2160 @60Hz)
Audio input	Mini jack x1 (3.5mm)
Monitor control input	RS-232c x1 (2.5mm sub-mini jack) RJ45 (LAN) x1 IR x1 (3.5mm stereo mini)
Audio output	S/PDIF (Optical) x1 Speakers 2 x 10W
Monitor control output	RS-232c x1 IR loop through x1 (3.5mm stereo mini)
HDCP	yes
USB ports	x2 (v.2.0 x1, v.3.0 x1)

## 03 FEATURES

Integrated software	Android OS 8.0, EShare, iiSignage
WiFi	optional
Hardware	CPU: HiSilicon V810, CA73*2+A53*2, Memory: 2GB DDR4, Storage: 16GB eMMC
Extra	Intel® SDM-L, micro SD card slot
Max. non-stop operating time	18/7
Anti image retention	yes
Media playback	yes
Housing (bezel)	metal (front)

## 04 GENERAL

OSD languages	EN, DE, FR, ES, IT, CN, RU, JP, CZ, NL, PL
Control buttons	Power, Mute, Input, Plus, Minus, Up, Down, Menu

## User controls

picture (brightness, contrast, sharpness, black level, tint, color, noise reduction, gamma selection, color temperature, color control, smart power, over scan, picture reset), screen (H. position, V. position, clock, clock phase, zoom mode, custom zoom, auto adjust, screen reset), Audio (balance, treble, bass, volume, audio out, maximum volume, minimum volume, mute, audio source, audio reset, audio out sync), configuration 1 (switch on state, panel saving, RS232-routing, boot on source, configuration 1 reset, factory reset), Configuration 2 (OSD turn off, OSD H-Position, OSD V-position, rotation, information OSD, logo, monitor ID, monitor information, HDMI version, configuration 2 reset), Advanced option (IR control, Power LED light, keyboard control, off timer, date and time, schedule, language, OSD transparency, power save, SDM settings, advanced option reset), android settings (ethernet, signage display, system tools, apps, display, security, date & time, developer options, about)

## Plug&Play

DDC2B

## 05 MECHANICAL

**Orientation** landscape, portrait

**Fanless design** yes

**VESA mounting** 400 x 400mm

**Operation temperature range** 0°C - 40°C

**Storage temperature range** - 20°C - 60°C

**MTBF** 50.000 hours (excluding backlight)

## 06 ACCESSORIES INCLUDED

**Cables** power, HDMI, RS-232c

**Guides** quick start guide, safety guide

**Other** Stickers for screw holes

**Remote control** yes (batteries included)

## 07 POWER MANAGEMENT

**Power supply unit** internal

**Power supply** AC 100 - 240V, 50/60Hz

**Power usage** 133W typical, 0.5W stand by, 0.5W off mode

## 08 SUSTAINABILITY

**Regulations** CB, CE, TÜV-Bauart, EAC, RoHS support, ErP, WEEE, REACH

**Energy efficiency class (Regulation (EU) 2017/1369)** G

## 09 DIMENSIONS / WEIGHT

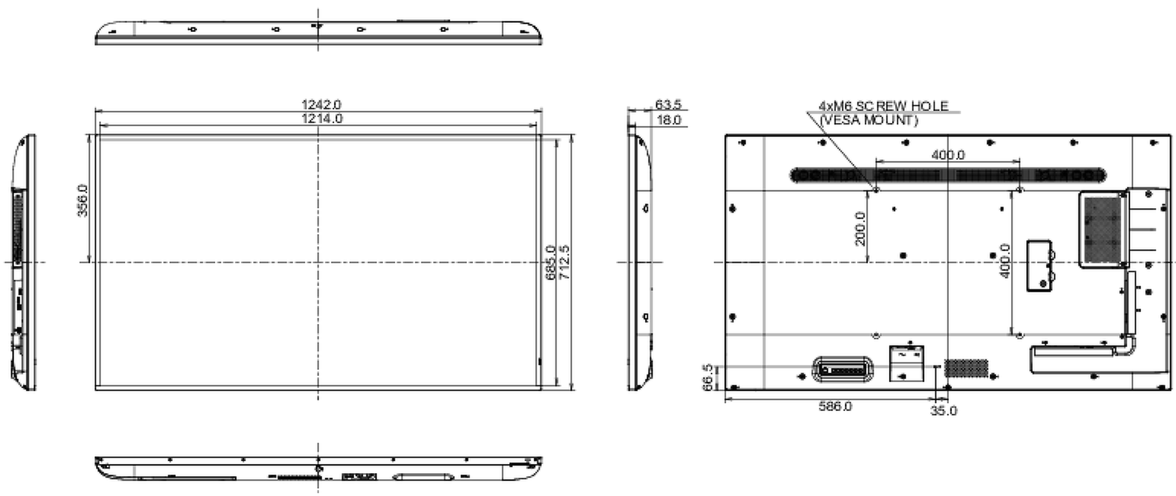
**Product dimensions W x H x D** 1241 x 712.5 x 63.5mm

**Box dimensions W x H x D** 1350 x 860 x 160mm

**Weight (without box)** 16.7kg

**Weight (with box)** 23kg

**EAN code** 4948570117451



All trademarks and registered trademarks acknowledged. E & O E. Specification subject to change without notice. All LCD's comply with ISO-9241-307:2008 in connection with pixel defects.

© IYAMA CORPORATION. ALL RIGHTS RESERVED