



### 86" Professional Digital Signage display with an 18/7 operating time, 4K UHD resolution and an OPS slot

See the difference with the ProLite LE8640UHS. A professional digital signage display with 4K graphics, 18/7 operating time and an OPS slot. Featuring a slim bezel, an IPS LED panel for exceptional color and image performance and iiSignage, iiyama's free signage content creation and management software, the LE8640UHS offers businesses an easy and effective solution to successfully help them get their message across to the clients.



iiSignage

With iiSignage, you can easily create, publish and manage your own digital signage content on any iiyama 40-series display from a desktop PC in the same network. Use rich content like video's and widgets to create highly impactful advertising in minutes and schedule your content across multiple displays to best match your customers' behavior.

[Read more](#)



4K

UHD resolution (3840x2160), better known as 4K, offers a gigantic viewable area with 4 times more information and work space than a Full HD screen. Due to the high DPI (dots per inch), it displays an incredibly sharp and crisp image.

## 01 DISPLAY CHARACTERISTICS

Design	Thin bezel
Diagonal	85.6", 217.4cm
Panel	IPS LED, matte finish, haze 3%
Native resolution	3840 x 2160 @60Hz (8.3 megapixel 4K UHD)
Aspect ratio	16:9
Panel brightness	410 cd/m <sup>2</sup>
Static contrast	1200:1
Response time (GTG)	8ms
Viewing zone	horizontal/vertical: 178°/178°, right/left: 89°/89°, up/down: 89°/89°
Colour support	1.07B 10bit (8bit + Hi-FRC)
Horizontal Sync	30 - 83kHz
Viewable area W x H	1895 x 1065.9mm, 74.6 x 42"
Bezel width (sides, top, bottom)	15.2mm, 15.2mm, 15.2mm
Pixel pitch	0.4935mm
Bezel colour and finish	black, matte

## 02 INTERFACES / CONNECTORS / CONTROLS

Analog signal input	VGA x1 (max. 1920x1080 @60Hz)
Digital signal input	HDMI x4 (max. 3840x2160 @60Hz) DisplayPort x1 (v.1.2, max. 3840x2160 @30Hz)
Audio input	Mini jack x1
Monitor control input	RS-232c x1 RJ45 (LAN) x1 IR x1
Audio output	RCA (L/R) x1 Speakers 2 x 10W
Monitor control output	RS-232c x1 IR loop through x1 OPS Slot x1 (OPS Intel 80 Pin Standard-Slot. Not compatible with OPS-C)
HDCP	yes
USB ports	x1 (v.2.0 x1, v.3.0 x1, v.5V0.5A x1, v.5v2A(USB power charging) x1)

## 03 FEATURES

Integrated software	Android OS 5.0.1, iiSignage
Hardware	CPU: MSD95E1D-W4, Quad-Core ARM, 1.4Ghz, Memory: 2GB, Storage: 8GB eMMC
Extra	handles, micro SD slot
Max. non-stop operating time	18/7
Anti image retention	yes
Media playback	yes
Housing (bezel)	metal

## 04 GENERAL

OSD languages	EN, DE, FR, ES, IT, CN, RU, JP, CZ, NL, PL
Control buttons	Power, Mute, Input, Plus, Minus, Up, Down, Menu

## User controls

Picture (brightness, contrast, sharpness, black level, tint, color, noise reduction, gamma selection, color temperature, color control, smart power, over scan, picture reset), Screen (H.position, V.position, clock, clock phase, zoom mode, custom zoom, auto adjust, screen reset), Audio (balance, treble, bass, volume, audio out, maximum volume, minimum volume, mute, audio source, audio reset, audio out sync), Configuration 1 (switch on state, panel saving, RS232-routing, boot on source, WOL, RGB range, Config 1 reset, factory reset), Configuration 2 (OSD turn off, OSD H-Position, OSD V-position, information OSD, logo, monitor ID, heat status, monitor information, HDMI version, config 2 reset), Advanced option (IR control, Power LED light, keyboard control, off timer, date and time, schedule, HDMI with One Wire, language, OSD transparency, power save, OPS settings, advanced option reset), Android settings (ethernet, signage display, system tools, display, apps, date & time, developer options, about)

## Plug&Play

DDC2B, Mac OSX

## 05 MECHANICAL

### Orientation

landscape

### Fanless design

yes

### VESA mounting

600 x 400mm

### Operation temperature range

0°C - 40°C

### Storage temperature range

- 20°C - 60°C

### MTBF

50.000 hours (excluding backlight)

## 06 ACCESSORIES INCLUDED

### Cables

power, HDMI, mDP - DP, DP, RS-232c

### Guides

quick start guide, safety guide

### Remote control

yes (batteries included)

## 07 POWER MANAGEMENT

### Power supply unit

internal

### Power supply

AC 100 - 240V, 50/60Hz

### Power usage

290W typical, 0.5W stand by, 0.5W off mode

## 08 SUSTAINABILITY

### Regulations

CB, CE, TÜV-Bauart, RoHS support, ErP, WEEE, CU, REACH

### REACH SVHC

above 0.1%: Lead

## 09 DIMENSIONS / WEIGHT

### Product dimensions W x H x D

1927.9 x 1098.9 x 85.9mm

### Box dimensions W x H x D

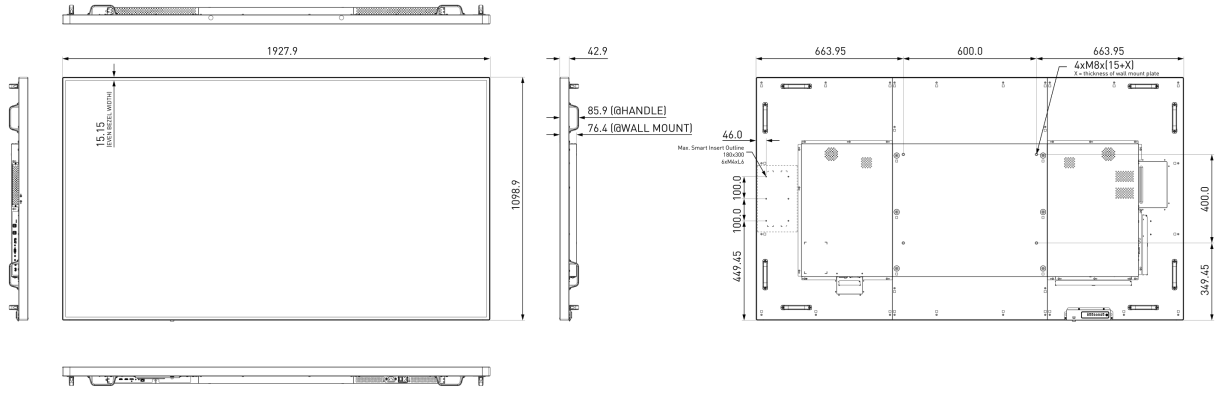
2224 x 1427 x 373mm

### Weight (without box)

63.8kg

### EAN code

4948570116362



All trademarks and registered trademarks acknowledged. E & O E. Specification subject to change without notice. All LCD's comply with ISO-9241-307:2008 in connection with pixel defects.

© IIYAMA CORPORATION. ALL RIGHTS RESERVED