



Perfect choice for office

The 17" ProLite B1780SD designed for business usage is a LED-backlit monitor with Height Adjustability and Screen Rotation allowing you to set the perfect position of the screen ensuring ergonomic posture and optimal viewing comfort. The 5ms response time and high contrast make the B1780SD ideal for a wide range of business applications. sRGB and gamma correction functions permit even the finest nuances of colour to be set accurately. The ProLite B1780SD includes DVI and VGA connectivity and is available in black and white.



LED-backlit

A typical CCFL LCD uses four backlight lamps. Using LED diodes considerably lowers the power consumption and reduces the CO₂ emission into the environment making this LCD a true ECO-Friendly product.



HAS + Pivot

With a height adjustable stand you will create an ergonomic work posture and position that meets all health and safety requirements. This will not only prevent any health issues but will also increase your productivity. The pivot function allows the screen to rotate from landscape to portrait orientation. This functionality can be useful if the application requires more height than width.

01 DISPLAY CHARACTERISTICS

| | |
|---------------------|---|
| Diagonal | 17", 43cm |
| Native resolution | 1280 x 1024 (1.3 megapixel) |
| Aspect ratio | 5:4 |
| Panel brightness | 250 cd/m ² |
| Static contrast | 1000:1 |
| Advanced contrast | 12M:1 |
| Response time (GTG) | 5ms |
| Viewing zone | horizontal/vertical: 170°/160°, right/left: 85°/85°, up/down: 80°/80° |
| Colour support | 16.7mIn (sRGB: 99%; NTSC: 72%) |
| Horizontal Sync | 24 - 80kHz |
| Viewable area W x H | 337.9 x 270.3mm, 13.3 x 10.6" |
| Pixel pitch | 0.264mm |
| Colour | matte |

02 INTERFACES / CONNECTORS / CONTROLS

| | |
|--------------|------------------|
| Signal input | VGA x1 DVI x1 |
| HDCP | yes |

03 FEATURES

| | |
|-----------------|---|
| OSD languages | EN, DE, FR, ES, IT, PT, CN, RU, JP |
| Control buttons | Power, Select/ Input, Scroll up/ Audio, Scroll down/ i-Style Colour, Menu |
| Speakers | 2 x 1W |
| Convenience | Kensington-lock™ prepared, DDC2B, Mac OSX |

04 MECHANICAL

| | |
|------------------------------|--|
| Display position adjustments | height, pivot (rotation), swivel, tilt |
| Height adjustment | 130mm |
| Rotation (PIVOT function) | 90° |
| Swivel stand | 90°; 45° left; 45° right |
| Tilt angle | 22° up; 3° down |
| VESA mounting | 100 x 100mm |

05 ACCESSORIES INCLUDED

| | |
|--------|---------------------------------|
| Cables | power, DVI, Audio |
| Other | quick start guide, safety guide |

06 POWER MANAGEMENT

| | |
|-------------------|---|
| Power supply unit | internal |
| Power supply | AC 100 - 240V, 50/60Hz |
| Power usage | 14W typical, 0.5W stand by, 0.5W off mode |

07 SUSTAINABILITY

Regulations

CE, TÜV-Bauart, RoHS support, ErP, WEEE, REACH

Energy efficiency class (Regulation (EU) 2017/1369)

E

REACH SVHC

above 0.1%: Lead

08 DIMENSIONS / WEIGHT**Product dimensions W x H x D**

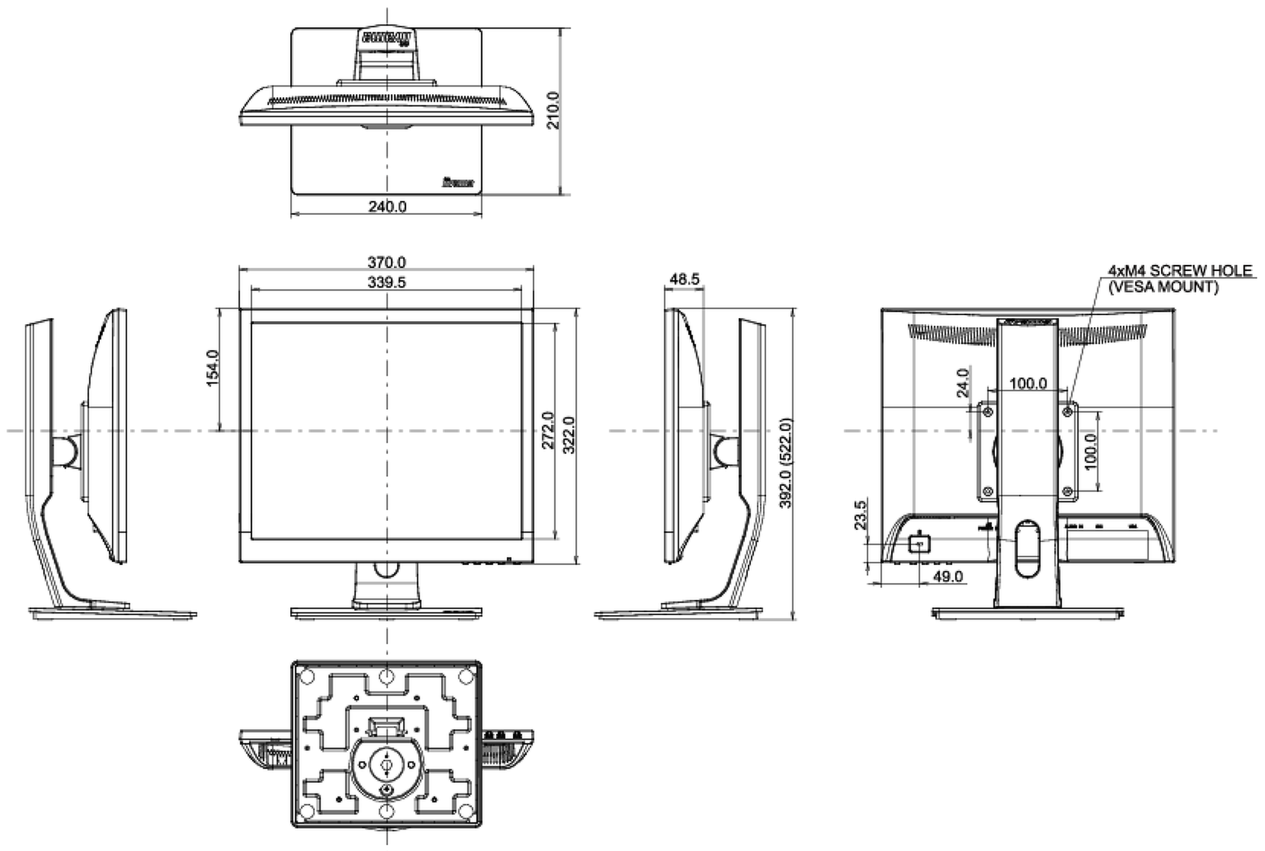
370 x 392 (522) x 210mm

Weight (without box)

4.4kg

EAN code

4948570113026



All trademarks and registered trademarks acknowledged. E & O E. Specification subject to change without notice. All LCD's comply with ISO-9241-307:2008 in connection with pixel defects.

© IIYAMA CORPORATION. ALL RIGHTS RESERVED