



### 23" monitor with IPS panel for your home and office

ProLite X2380HS is a 23" LED backlit LCD Screen featuring IPS Panel technology which is considered to be the best all round panel type. It offers accurate and consistent colour reproduction with wide viewing angles (178°/178°) and great response time (5 ms black-to-black). The ProLite X2380HS is full HD, has a >5mln:1 Advanced Contrast Ratio and 250 cd/m<sup>2</sup> brightness offering the user a clear and vivid image. An array of inputs including HDMI, DVI and VGA connections ensure compatibility across a range of devices including games consoles and work stations. The X2380HS also has the two integrated speakers and is VESA mountable. It will provide excellent performance for photographic design, web design, standard office use and in multi-monitor environment.



IPS

IPS displays are best known for wide viewing angles and natural, highly accurate colours. They are especially suited for colour-critical applications.



OverDrive ON / OFF

When very fast graphics are displayed your monitor can sometimes get blurry. Turning on the OverDrive feature will eliminate that.

## 01 DISPLAY CHARACTERISTICS

|                     |   |
|---------------------|---|
| Diagonal            | 23", 58.4cm   |
| Panel               | IPS LED, matte finish   |
| Native resolution   | 1920 x 1080 (2.1 megapixel Full HD)                                   |
| Aspect ratio        | 16:9  |
| Panel brightness    | 250 cd/m <sup>2</sup>   |
| Static contrast     | 1000:1  |
| Advanced contrast   | 5M:1  |
| Response time (GTG) | 5ms   |
| Viewing zone        | horizontal/vertical: 178°/178°, right/left: 89°/89°, up/down: 89°/89° |
| Colour support      | 16.7mln   |
| Horizontal Sync     | 24 - 80kHz  |
| Viewable area W x H | 509.18 x 286.41mm, 20 x 11.3"   |
| Pixel pitch         | 0.2652mm  |
| Colour              | matte   |

## 02 INTERFACES / CONNECTORS / CONTROLS

|              |                             |
|--------------|-----------------------------|
| Signal input | VGA x1<br>DVI x1<br>HDMI x1 |
| HDCP         | yes                         |

## 03 FEATURES

|                    |  |
|--------------------|--|
| Blue light reducer | yes  |
| OSD languages      | EN, DE, FR, ES, IT, PT, CN, RU, JP   |
| Control buttons    | Power, Menu, +/- Volume, -/ ECO, Auto  |
| User controls      | luminance (contrast, brightness, ECO, i-style Colour, ACR), image setup (clock, phase, H. position, V. position, aspect), colour (gamma, colour temperature, sRGB), OSD setup (H. position, V. position, OSD time out, language), extra (reset, signal select, HDMI audio, OD, information), volume, auto adjust |
| Speakers           | 2 x 2W   |
| Convenience        | Kensington-lock™ prepared, DDC2B, Mac OSX  |

## 04 MECHANICAL

|                              |                 |
|------------------------------|-----------------|
| Display position adjustments | tilt            |
| Tilt angle                   | 22° up; 5° down |
| VESA mounting                | 100 x 100mm     |

## 05 ACCESSORIES INCLUDED

|        |                                 |
|--------|---------------------------------|
| Cables | power, DVI, Audio               |
| Other  | quick start guide, safety guide |

## 06 POWER MANAGEMENT

|                   |                        |
|-------------------|------------------------|
| Power supply unit | internal               |
| Power supply      | AC 100 - 240V, 50/60Hz |

Power usage

26W typical, 0.5W stand by, 0.5W off mode

## 07 SUSTAINABILITY

### Regulations

CE, TÜV-GS, VCCI-B, RoHS support, ErP, WEEE, EPEAT, CU, REACH

### EPEAT Silver

EPEAT is a comprehensive environmental rating that helps identify greener computers and other electronic equipment. The Silver certification means the monitor meets all required criteria plus at least 50% of the optional requirements. EPEAT Silver is valid in countries where iiyama registers the product. Please visit [www.epeat.net](http://www.epeat.net) for the registration status in your country.

### REACH SVHC

above 0.1%: Lead

## 08 DIMENSIONS / WEIGHT

### Product dimensions W x H x D

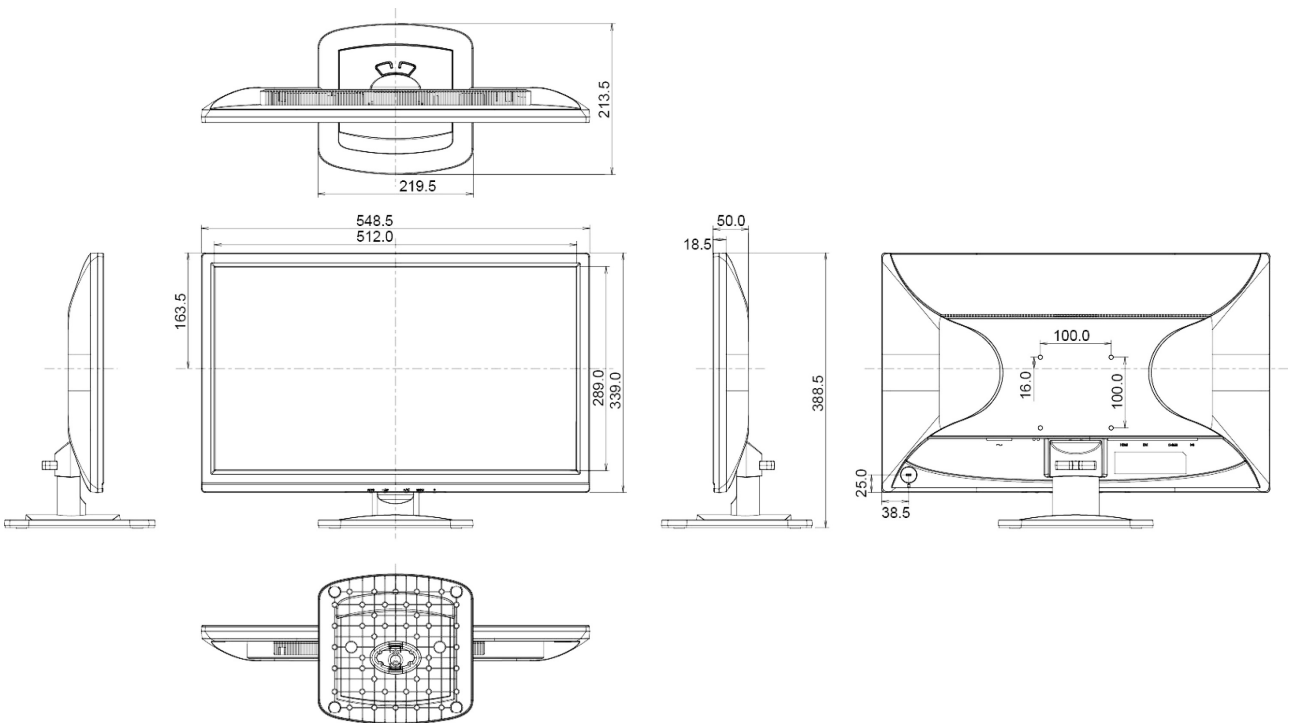
548.5 x 388.5 x 213.5mm

### Weight (without box)

4kg

### EAN code

4948570111787



All trademarks and registered trademarks acknowledged. E & O E. Specification subject to change without notice. All LCD's comply with ISO-9241-307:2008 in connection with pixel defects.

© IIYAMA CORPORATION. ALL RIGHTS RESERVED