



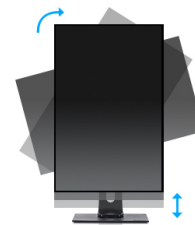
**The ProLite B2280WSD is a high specification 22” 1680x1050 LED-backlit monitor with Height Adjustab**

The ProLite B2280WSD is a high specification 22” 1680x1050 LED-backlit monitor with Height Adjustability and Screen Rotation allowing you to set the perfect position of the screen ensuring ergonomic posture and optimal viewing comfort. 5msec black-to-black response time and 12 000 000 : 1 Advanced Contrast Ratio make the B2280WSD ideal for Video Conferencing, DTP and CAD as well as the usual text based applications. Analogue and DVI inputs ensure compatibility with the latest systems and associated graphics cards. The monitor is Energy Star Certified. Available in black and white.



LED-backlit

A typical CCFL LCD uses four backlight lamps. Using LED diodes considerably lowers the power consumption and reduces the CO<sub>2</sub> emission into the environment making this LCD a true ECO-Friendly product.



HAS + Pivot

With a height adjustable stand you will create an ergonomic work posture and position that meets all health and safety requirements. This will not only prevent any health issues but will also increase your productivity. The pivot function allows the screen to rotate from landscape to portrait orientation. This functionality can be useful if the application requires more height than width.

## 01 DISPLAY CHARACTERISTICS

|                     |   |
|---------------------|---|
| Diagonal            | 22", 56cm   |
| Panel               | TN LED, matte finish  |
| Native resolution   | 1680 x 1050 (1.8 megapixel)   |
| Aspect ratio        | 16:10   |
| Panel brightness    | 250 cd/m <sup>2</sup>   |
| Static contrast     | 1000:1  |
| Advanced contrast   | 12M:1   |
| Response time (GTG) | 5ms   |
| Viewing zone        | horizontal/vertical: 178°/170°, right/left: 89°/89°, up/down: 85°/85° |
| Colour support      | 16.7mIn (sRGB: 99%; NTSC: 72%)  |
| Horizontal Sync     | 24 - 80kHz  |
| Viewable area W x H | 473.7 x 296.1mm, 18.6 x 11.7"   |
| Pixel pitch         | 0.282mm   |
| Colour              | matte   |

## 02 INTERFACES / CONNECTORS / CONTROLS

|              |                  |
|--------------|------------------|
| Signal input | VGA x1<br>DVI x1 |
| HDCP         | yes              |

## 03 FEATURES

|                 |  |
|-----------------|--|
| OSD languages   | EN, DE, FR, ES, IT, PT, CN, RU, JP   |
| Control buttons | Power, Menu, +/- Volume, -/ ECO, Auto  |
| User controls   | luminance (contrast, brightness, ECO, i-Style Colour, Adv. Contrast), image setup (clock, phase, H. position, V. position, aspect), colour temperature (gamma, colour temperature), OSD setup (H. position, V. position, timeout, language), others (reset, signal select, information), volume, auto adjust |
| Speakers        | 2 x 2W   |
| Convenience     | Kensington-lock™ prepared, DDC2B, Mac OSX  |

## 04 MECHANICAL

|                              |  |
|------------------------------|--|
| Display position adjustments | height, pivot (rotation), swivel, tilt |
| Height adjustment            | 130mm                                  |
| Rotation (PIVOT function)    | 90°                                    |
| Swivel stand                 | 320°; 160° left; 160° right            |
| Tilt angle                   | 22° up; 5° down                        |
| VESA mounting                | 100 x 100mm                            |

## 05 ACCESSORIES INCLUDED

|        |                                 |
|--------|---------------------------------|
| Cables | power, DVI, Audio               |
| Other  | quick start guide, safety guide |

## 06 POWER MANAGEMENT

|                   |          |
|-------------------|----------|
| Power supply unit | internal |
|-------------------|----------|

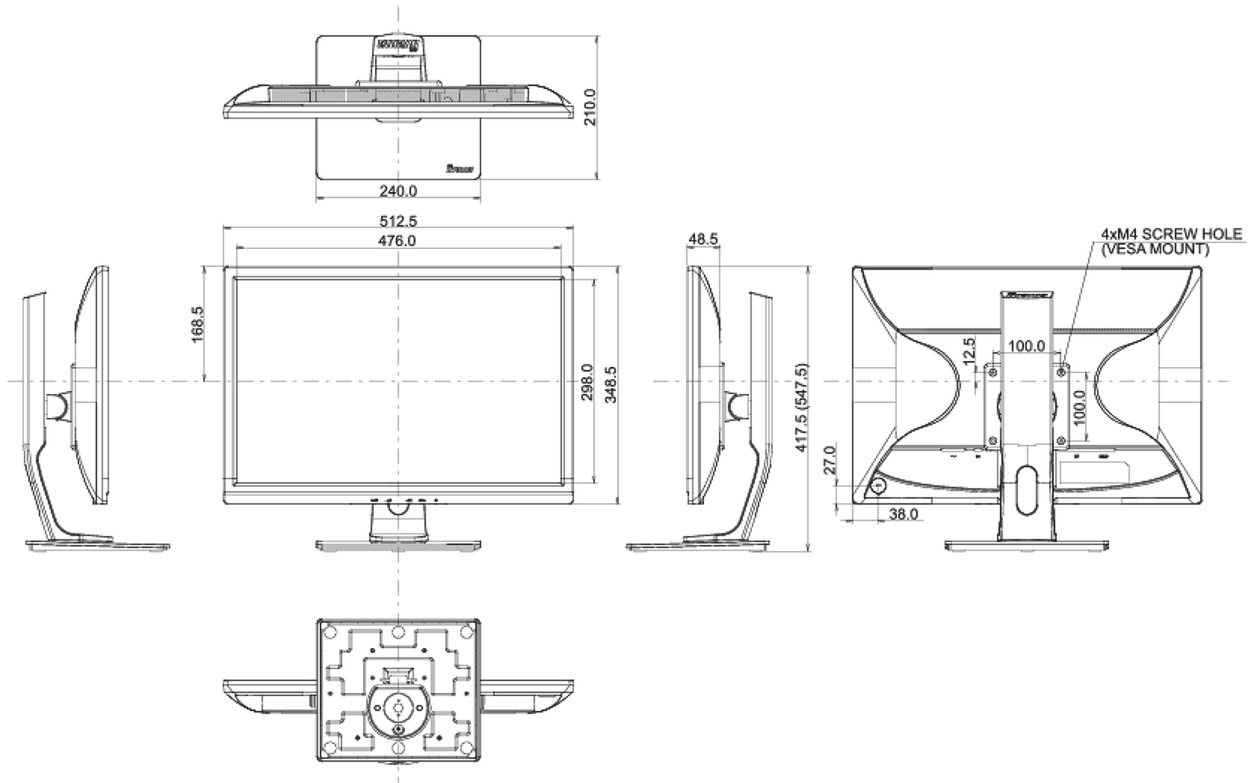
|              |   |
|--------------|---|
| Power supply | AC 100 - 240V, 50/60Hz                    |
| Power usage  | 21W typical, 0.5W stand by, 0.5W off mode |

## 07 SUSTAINABILITY

|   |  |
|---|--|
| Regulations   | CE, TÜV-GS, RoHS support, ErP, ENERGY STAR®, WEEE, REACH |
| Energy efficiency class (Regulation (EU) 2017/1369) | E  |
| REACH SVHC  | above 0.1%: Lead   |

## 08 DIMENSIONS / WEIGHT

|                              |                               |
|------------------------------|-------------------------------|
| Product dimensions W x H x D | 512.5 x 417.5 (547.5) x 210mm |
| Weight (without box)         | 5.4kg                         |
| EAN code                     | 4948570111572                 |



All trademarks and registered trademarks acknowledged. E & O E. Specification subject to change without notice. All LCD's comply with ISO-9241-307:2008 in connection with pixel defects.

© IYAMA CORPORATION. ALL RIGHTS RESERVED