



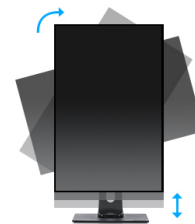
The 19" ProLite B1980SD designed for business usage is a LED-backlit monitor with Height Adjustability and Screen Rotation allowing you to set the perfect position of the screen ensuring ergonomic posture and optimal viewing comfort. The 5ms response time and high contrast make the B1980SD ideal for a wide range of business applications. sRGB and gamma correction functions permit even the finest nuances of colour to be set accurately. The ProLite B1980SD includes DVI and VGA connectivity and is available in black and white.

Available also with fixed stand : [Prolite E1980D-B1](#)



LED-backlit

A typical CCFL LCD uses four backlight lamps. Using LED diodes considerably lowers the power consumption and reduces the CO₂ emission into the environment making this LCD a true ECO-Friendly product.



HAS + Pivot

With a height adjustable stand you will create an ergonomic work posture and position that meets all health and safety requirements. This will not only prevent any health issues but will also increase your productivity. The pivot function allows the screen to rotate from landscape to portrait orientation. This functionality can be useful if the application requires more height than width.

01 DISPLAY CHARACTERISTICS

| | |
|---------------------|---|
| Diagonal | 19", 48cm |
| Panel | TN LED, matte finish |
| Native resolution | 1280 x 1024 (1.3 megapixel) |
| Aspect ratio | 5:4 |
| Panel brightness | 250 cd/m ² |
| Static contrast | 1000:1 |
| Advanced contrast | 12M:1 |
| Response time (GTG) | 5ms |
| Viewing zone | horizontal/vertical: 170°/160°, right/left: 85°/85°, up/down: 80°/80° |
| Colour support | 16.7mIn (sRGB: 99%; NTSC: 72%) |
| Horizontal Sync | 24 - 80kHz |
| Viewable area W x H | 376.32 x 301.05mm, 14.8 x 11.9" |
| Pixel pitch | 0.294mm |
| Colour | matte |

02 INTERFACES / CONNECTORS / CONTROLS

| | |
|--------------|------------------|
| Signal input | VGA x1 DVI x1 |
|--------------|------------------|

03 FEATURES

| | |
|-----------------|--|
| OSD languages | EN, DE, FR, ES, IT, PT, CN, RU, JP, CZ, NL, PL |
| Control buttons | Power, Menu, +/- Volume Button, -/ ECO Button, AUTO |
| User controls | luminance (contrast, brightness, ECO, i-Style Colour, ACR), image setup (clock, phase, H. position, V. position), colour adjust (gamma, colour temperature, sRGB), OSD setup (H. position, V. position, timeout, language), extra (reset, signal select, information), volume, auto adjust |
| Speakers | 2 x 1W |

04 MECHANICAL

| | |
|------------------------------|--|
| Display position adjustments | height, pivot (rotation), swivel, tilt |
| Height adjustment | 130mm |
| Rotation (PIVOT function) | 90° |
| Swivel stand | 90°; 45° left; 45° right |
| Tilt angle | 22° up; 5° down |
| VESA mounting | 100 x 100mm |

05 ACCESSORIES INCLUDED

| | |
|--------|---------------------------------|
| Cables | power, DVI, Audio |
| Other | quick start guide, safety guide |

06 POWER MANAGEMENT

| | |
|-------------------|---|
| Power supply unit | internal |
| Power supply | AC 100 - 240V, 50/60Hz |
| Power usage | 16W typical, 0.5W stand by, 0.5W off mode |

07 SUSTAINABILITY

Regulations

CE, TÜV-GS, RoHS support, ErP, WEEE, REACH, ENERGY STAR[®], UKCA

Energy efficiency class (Regulation (EU) 2017/1369)

E

EPEAT Silver

EPEAT is a comprehensive environmental rating that helps identify greener computers and other electronic equipment. The Silver certification means the monitor meets all required criteria plus at least 50% of the optional requirements. EPEAT Silver is valid in countries where iiyama registers the product. Please visit www.epeat.net for the registration status in your country.

REACH SVHC

above 0.1%: Lead

08 DIMENSIONS / WEIGHT

Product dimensions W x H x D

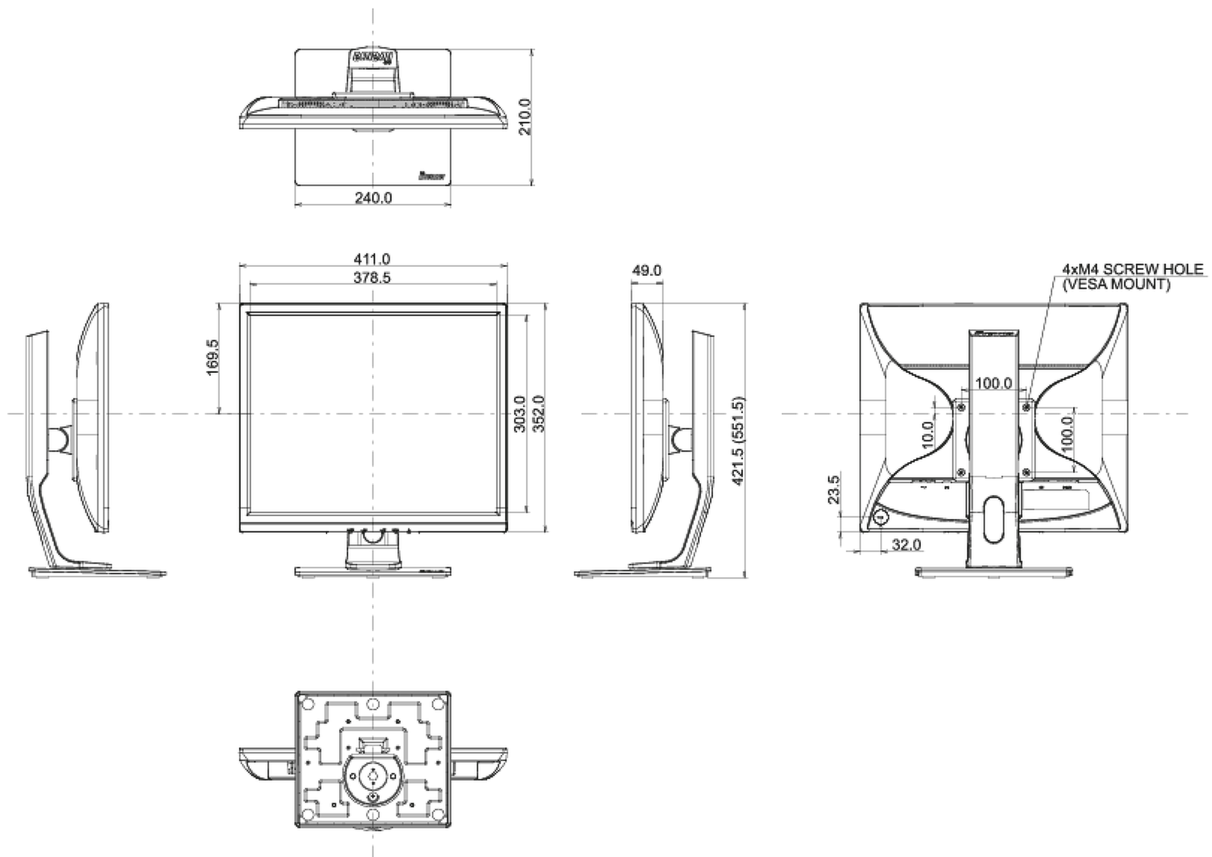
411 x 421.5 (551.5) x 210mm

Weight (without box)

4.9kg

EAN code

4948570111688



All trademarks and registered trademarks acknowledged. E & O E. Specification subject to change without notice. All LCD's comply with ISO-9241-307:2008 in connection with pixel defects.

© IIYAMA CORPORATION. ALL RIGHTS RESERVED