



### 27" QHD IPS technology panel with USB-C dock and RJ45 (LAN)

Equipped with a USB-C dock connector, the XUB2797QSN allows you to simplify your workspace by using a single cable to both send signal (audio, video and touch) from your notebook to your monitor whilst providing power and charge to the notebook. Additionally, if your monitor is connected to the Internet with a LAN cable, your notebook will automatically be connected to the network as well. Thanks to a DisplayPort output you can easily extend your desktop by creating a double-monitor set-up. The IPS panel assures rich and accurate colours with wide viewing angles. QHD resolution, high contrast and brightness values mean the monitor provides excellent performance for photographic and web design. The ergonomic stand offers a height adjustment of 150mm and with the tilt and swivel mechanisms you can easily turn the monitor into portrait mode for more comfort while working on large data sheets.

Available also without USB-C dock: [XUB2797QSU-W2](#).

Available also in black : [ProLite XUB2797QSN-B2](#)



USB-C Dock

The dock allows you to connect your laptop with a single cable to the monitor to both make sure it is charged and connected to a wired network and signal from the laptop is sent to the monitor. A second monitor can be connected to the DisplayPort (MST) output to create a multi-monitor set-up. With additional USB-ports, your mouse, keyboard or webcam can also be connected to the monitor. All thanks to a single cable connecting your laptop\* to the USB C dock in the monitor.

\*Functions vary depending on your laptop USB-C support.



IPS Technology

IPS displays are best known for wide viewing angles and natural, highly accurate colours. They are especially suited for colour-critical applications.

## 01 DISPLAY CHARACTERISTICS

|                      |   |
|----------------------|---|
| Design               | 3-side borderless   |
| Diagonal             | 27", 68.5cm   |
| Panel                | IPS Panel Technology LED, matte finish                                |
| Native resolution    | 2560 x 1440 @100Hz (3.7 megapixel QHD)                                |
| Aspect ratio         | 16:9  |
| Panel brightness     | 300 cd/m <sup>2</sup>   |
| Static contrast      | 1300:1  |
| Advanced contrast    | 80M:1   |
| Response time (MPRT) | 1ms   |
| Viewing zone         | horizontal/vertical: 178°/178°, right/left: 89°/89°, up/down: 89°/89° |
| Colour support       | 16.7mIn (sRGB: 99%; NTSC: 72%)  |
| Horizontal Sync      | 30 - 151kHz   |
| Viewable area W x H  | 596.7 x 335.7mm, 23.5 x 13.2"   |
| Pixel pitch          | 0.233mm   |
| Colour               | matte, white  |

## 02 INTERFACES / CONNECTORS / CONTROLS

|                     |  |
|---------------------|--|
| Signal input        | HDMI x1 (v.2.0)<br>DisplayPort x1 (v.1.4)<br>USB-C x1 (PD 65W) |
| Signal output       | DisplayPort x1 (Daisy Chain MST max. 2560 x 1440)              |
| USB HUB             | x4 (3x v.3.2 Gen 1 (5Gbps, 4.5W) 1x Type C (5Gbps, 15W))       |
| USB-C DOCK          | x1 (Power delivery 65W, LAN, DP out, USB v.3.2 (Gen 1, 5Gbit)) |
| HDCP                | yes  |
| Headphone connector | yes  |
| RJ45 (LAN)          | x1   |

## 03 FEATURES

|                       |  |
|-----------------------|--|
| Blue light reducer    | yes  |
| Flicker free          | yes  |
| Adaptive Sync support | yes  |
| Extra                 | i-Style colour   |
| OSD languages         | EN, DE, FR, ES, IT, RU, JP, CZ, NL, PL   |
| Control buttons       | Power, Menu, Adjustment/Volume, Adjustment/Shortcut Menu, Input/Exit   |
| User controls         | picture adjust (brightness, contrast, Eco, ACR, OD, MBR, Adaptive Sync), colour settings (i-Style colour, blue light reducer, colour temp., user preset), OSD (OSD H. position, OSD V. position, OSD rotate, OSD time), language, recall, miscellaneous 1 (sharp and soft, video mode adjust, opening logo, RGB range), miscellaneous 2 (USB BC, MST, USB, LED, display information, MAC address), input select, audio settings (volume, mute) |
| Speakers              | 2 x 2W   |
| Convenience           | Kensington-lock™ prepared, DDC2B   |

## 04 MECHANICAL

|                              |   |
|------------------------------|---|
| Display position adjustments | height, swivel, tilt, pivot (rotation both sides) |
| Height adjustment            | 150mm   |

|                           |                          |
|---------------------------|--------------------------|
| Rotation (PIVOT function) | 90°                      |
| Swivel stand              | 90°; 45° left; 45° right |
| Tilt angle                | 23° up; 5° down          |
| VESA mounting             | 100 x 100mm              |
| Cable management system   | yes                      |

## 05 ACCESSORIES INCLUDED

|        |                                 |
|--------|---------------------------------|
| Cables | power, HDMI, DP, USB-C          |
| Other  | quick start guide, safety guide |

## 06 POWER MANAGEMENT

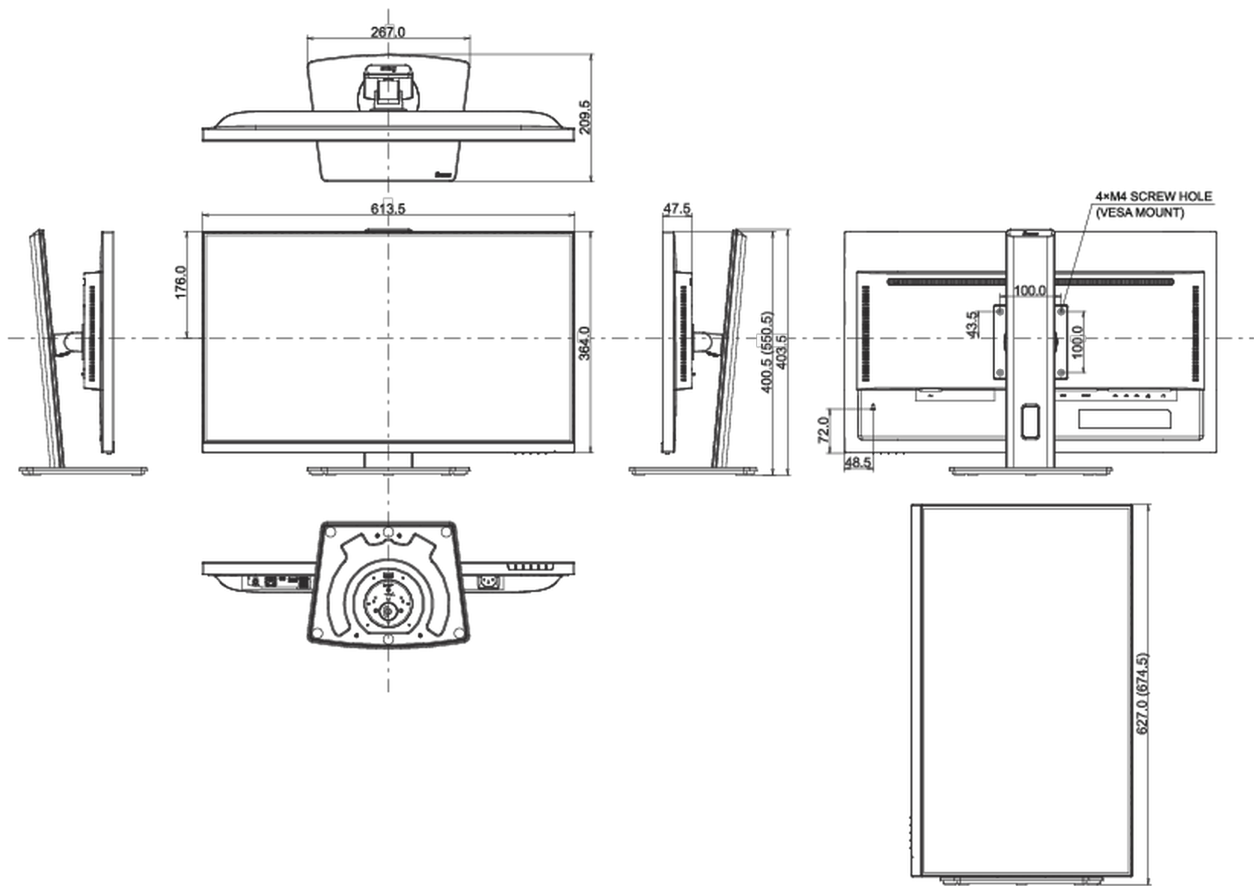
|                   |   |
|-------------------|---|
| Power supply unit | internal                                  |
| Power supply      | AC 100 - 240V, 50/60Hz                    |
| Power usage       | 26W typical, 0.5W stand by, 0.3W off mode |

## 07 SUSTAINABILITY

|   |   |
|---|---|
| Regulations   | TCO Certified, CE, TÜV-GS, EAC, VCCI-B, PSE, RoHS support, ErP, WEEE, REACH, UKCA             |
| Energy efficiency class (Regulation (EU) 2017/1369) | E   |
| REACH SVHC  | above 0.1%: Lead  |
| Warranty  | 5 years (for details and eligible countries please check the Warranty section of our website) |

## 08 DIMENSIONS / WEIGHT

|                              |                                 |
|------------------------------|---------------------------------|
| Product dimensions W x H x D | 613.5 x 400.5 (550.5) x 209.5mm |
| Box dimensions W x H x D     | 679 x 427 x 130mm               |
| Weight (without box)         | 6.1kg                           |
| Weight (with box)            | 8.7kg                           |
| EAN code                     | 4948570125036                   |



All trademarks and registered trademarks acknowledged. E & O E. Specification subject to change without notice. All LCD's comply with ISO-9241-307:2008 in connection with pixel defects.

© IYAMA CORPORATION. ALL RIGHTS RESERVED