

Single column electric floor lift for monitors up to 98"

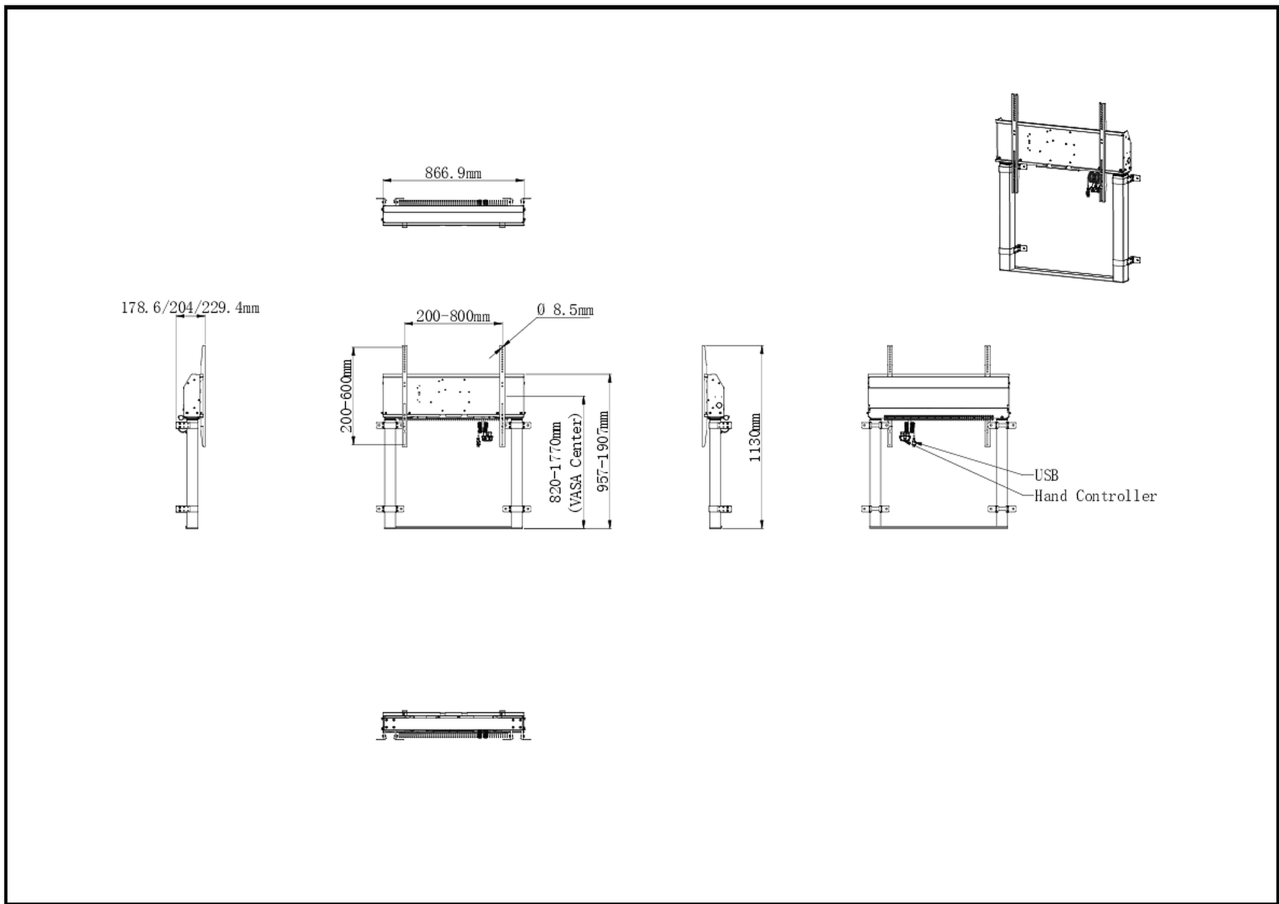
This fixed on-floor and wall single-column electric lift stand is a perfect solution for 55"-98" displays. It's suitable with screens up to VESA 800x600mm and up to 120kg. Equipped with an easy mount, based on "pull and release" brackets and a wired remote, it is a perfect solution for displays placed in classrooms or conference rooms.

This column is a perfect match for the iiyama TE12, TE14 and TE18 SERIES IFP - Interactive Displays allowing users to control the height from the screen itself. With the option to save 2 height level pre-sets, different users can quickly adjust the screen position to their needs.

*To mount a 105" display you need the additional mounting kit [MD-ADAP001](#)

01 TECHNIKAI PARAMÉTEREK

Típus	White, 1.8m
Képernyők száma	1
Képernyő mérete	55" - 105"
Magasság beállítása	950mm, Centre of the screen is 812 - 1762mm
Maximális teherbírás	120kg / monitor
VESA maximum	800 x 600mm
Extra	For screens up to 98" (105" needs additional mounting kit - MD-ADAP001), cable management, customized cables (Power, USB, Control pad)



02 MÉRETEK / SÚLY

Termék méretei Sz x H x M 886.9 x 1770 x 178.6229.4mm

Doboz méretei Sz x H x M 1132 x 182 x 754mm

Súly (doboz nélkül) 35.4kg

Súly (dobozsal) 38kg

EAN kód 4948570033263



03 KAPCSOLÓDÓ INFORMÁCIÓK

Kapcsolódó termékek

[MD WLIFT1021-B1](#)

All trademarks and registered trademarks acknowledged. E & O E. Specification subject to change without notice. All LCD's comply with ISO-9241-307:2008 in connection with pixel defects.

© IYAMA CORPORATION. ALL RIGHTS RESERVED