



**21.5” IPS 3-side borderless monitor for multi-monitor set-ups**

The stylish edge-to-edge design of the ProLite XU2293HS with IPS panel technology offers accurate and consistent colour reproduction with wide viewing angles. High contrast and brightness values mean the monitor will provide excellent performance for photographic and web design. Equipped with speakers, headphone socket, HDMI and DisplayPort connections and a blue light reducer function to reduce eye fatigue, this 21.5” ProLite display is a great choice for both multi-monitor configuration and office applications.

Available also with height adjustable stand : [ProLite XUB2293HS-B6](#)



**IPS Technology**

IPS technology offers higher contrast, darker blacks and much better viewing angles than standard TN technology. The screen will look good no matter what angle you look at it.



**Flicker-free + Blue light**

The ultimate solution for the comfort and health of your eyes. Flicker-free monitors with the blue light reducer function substantially reduce the strain and fatigue caused by flickering and blue light emittance of regular monitors.

## 01 DISPLAY CHARACTERISTICS

Design	3-side borderless
Diagonal	21.5", 54.5cm
Panel	IPS panel technology LED, matte finish
Native resolution	1920 x 1080 @100Hz (2.1 megapixel Full HD)
Aspect ratio	16:9
Panel brightness	300 cd/m <sup>2</sup>
Static contrast	1000:1
Advanced contrast	80M:1
Response time (MPRT)	1ms
Viewing zone	horizontal/vertical: 178°/178°, right/left: 89°/89°, up/down: 89°/89°
Colour support	16.7mIn (sRGB: 96%; NTSC: 72%)
Horizontal Sync	30 - 110kHz
Viewable area W x H	478.7 x 260.3mm, 18.8 x 10.3"
Pixel pitch	0.249mm
Colour	matte, black

## 02 INTERFACES / CONNECTORS / CONTROLS

Signal input	HDMI x1 (v. 1.4) DisplayPort x1 (v. 1.2)
HDCP	yes
Headphone connector	yes

## 03 FEATURES

Blue light reducer	yes
Flicker free	yes
Adaptive Sync support	yes
Extra	i-style Colour
OSD languages	EN, DE, FR, ES, IT, PT, CN, RU, JP, CZ, NL,
Control buttons	Power, Menu, Up / Right / Volume, Down / Left / Eco, Signal/ Exit
User controls	picture adjust (brightness, contrast, i-Style colour, ACR, Eco, OD, X-Res technology), colour settings (gamma, RGB range, colour temp.), image settings (video mode adjust, blue light reducer, sharp and soft, AdaptiveSync), OSD (OSD H. position, OSD V. position, OSD time, OSD background, language, display information), extra (reset, DDC /CI, signal select, LED, opening logo)
Speakers	2 x 2W
Convenience	Kensington-lock™ prepared, DDC/CI, DDC2B, Mac OSX

## 04 MECHANICAL

Display position adjustments	tilt
Tilt angle	22° up; 4° down
VESA mounting	100 x 100mm
Cable management system	yes

## 05 ACCESSORIES INCLUDED

Cables	power, HDMI
--------	-------------

Other

quick start guide, safety guide

## 06 POWER MANAGEMENT

Power supply unit

internal

Power supply

AC 100 - 240V, 50/60Hz

Power usage

17W typical, 0.5W stand by, 0.3W off mode

## 07 SUSTAINABILITY

Regulations

TCO Certified, CE, TÜV-Bauart, EAC, RoHS support, ErP, WEEE, REACH, UKCA

Energy efficiency class (Regulation (EU) 2017/1369)

E

REACH SVHC

above 0.1%: Lead

## 08 DIMENSIONS / WEIGHT

Product dimensions W x H x D

492 x 359 x 178mm

Box dimensions W x H x D

564 x 380 x 122mm

Weight (without box)

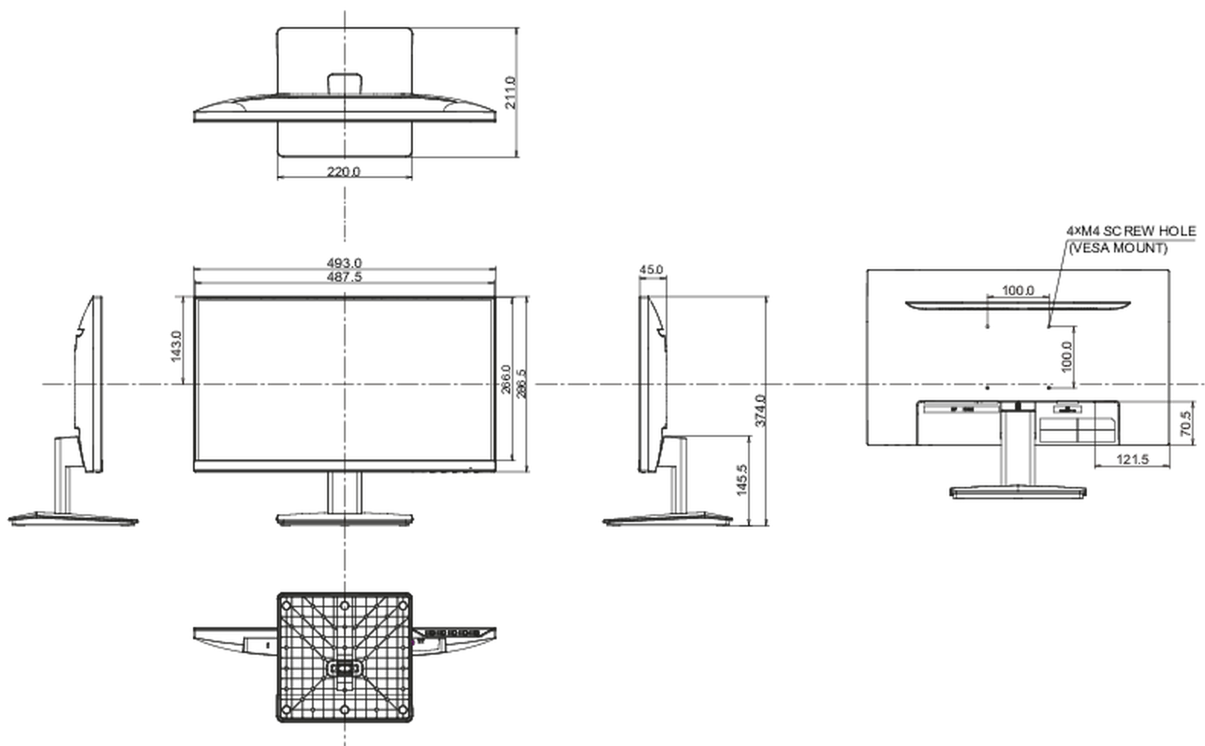
2.6kg

Weight (with box)

3.6kg

EAN code

4948570124244



All trademarks and registered trademarks acknowledged. E & O E. Specification subject to change without notice. All LCD's comply with ISO-9241-307:2008 in connection with pixel defects.