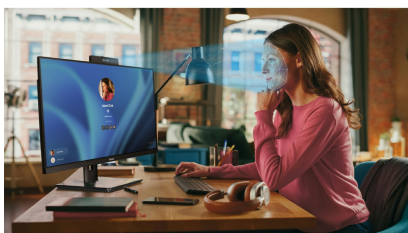




24'' IPS monitor with a built-in Windows Hello camera and microphone

The XUB2490HSUH is a first-rate 24" desktop monitor designed for both professional and personal use. The IPS matrix ensures precise and consistent colour reproduction, delivering stunning visuals with wide viewing angles. Featuring a Blue Light Reducer and flicker-free LCD technology, it reduces eye strain, providing a comfortable viewing experience. Equipped with a 150mm height-adjustable stand offering pivot and swivel functions, it allows for easy customization of screen position to suit your preferences. Moreover, it boasts a built-in 1080p autofocus webcam and microphone compliant with Windows Hello, adding convenience and security to your workspace.



Windows Hello webcam

The built-in web camera with microphone and autofocus guarantees seamless compatibility with any video or web conferencing platform. Compliance with Windows Hello allows users to sign in to their devices using biometric authentication methods. It provides a convenient and secure way to access devices and applications without the need for passwords.



IPS Technology

IPS technology offers higher contrast, darker blacks and much better viewing angles than standard TN technology. The screen will look good no matter what angle you look at it.

01 DISPLAY CHARACTERISTICS

Design	3-side borderless
Diagonal	23.8", 60.5cm
Panel	IPS LED, matte finish
Native resolution	1920 x 1080 @100Hz (2.1 megapixel Full HD)
Aspect ratio	16:9
Panel brightness	250 cd/m ²
Static contrast	1300:1
Advanced contrast	80M:1
Response time (GTG)	4ms
Viewing zone	horizontal/vertical: 178°/178°, right/left: 89°/89°, up/down: 89°/89°
Colour support	16.7mIn (sRGB: 99%; NTSC: 72%)
Horizontal Sync	30 - 115kHz
Viewable area W x H	527 x 296.5mm, 20.7 x 11.7"
Pixel pitch	0.275mm
Colour	matte, black

02 INTERFACES / CONNECTORS / CONTROLS

Signal input	HDMI x1 DisplayPort x1
USB HUB	x3 (v.3.2 Gen 1 (5Gbps, DC5V, 900mA))
HDCP	yes
Headphone connector	yes

03 FEATURES

Blue light reducer	yes
Flicker free	yes
Adaptive Sync support	yes
Extra	Built-in 1080p webcam with autofocus and microphone compliant with Windows hello
OSD languages	EN, DE, FR, ES, IT, PT, RU, JP, CZ, NL, PL
Control buttons	Signal Select/ Exit (Input), + / Volume, - / Eco, Menu, Power
User controls	picture adjust (contrast, brightness, i-Style colour, ACR, Eco, OD, X-Res technology), image settings (blue light reducer, sharp and soft, video mode adjust), colour settings (gamma, 6-axis, colour temp.), audio settings (volume, mute), OSD settings (H. position, V. position, OSD time, OSD rotate, language), extra 1 (Adaptive Sync, USB BC), extra 2 (reset, DDC/CI, signal select, HDMI range, opening logo, LED, information)
Speakers	2 x 2W
Convenience	Kensington-lock™ prepared, DDC2B, Mac OSX

04 MECHANICAL

Display position adjustments	height, swivel, tilt, pivot (rotation both sides)
Height adjustment	150mm
Rotation (PIVOT function)	90°
Swivel stand	90°; 45° left; 45° right
Tilt angle	23° up; 5° down

VESA mounting	100 x 100mm
Cable management system	yes

05 ACCESSORIES INCLUDED

Cables	power, USB, HDMI
Other	quick start guide, safety guide

06 POWER MANAGEMENT

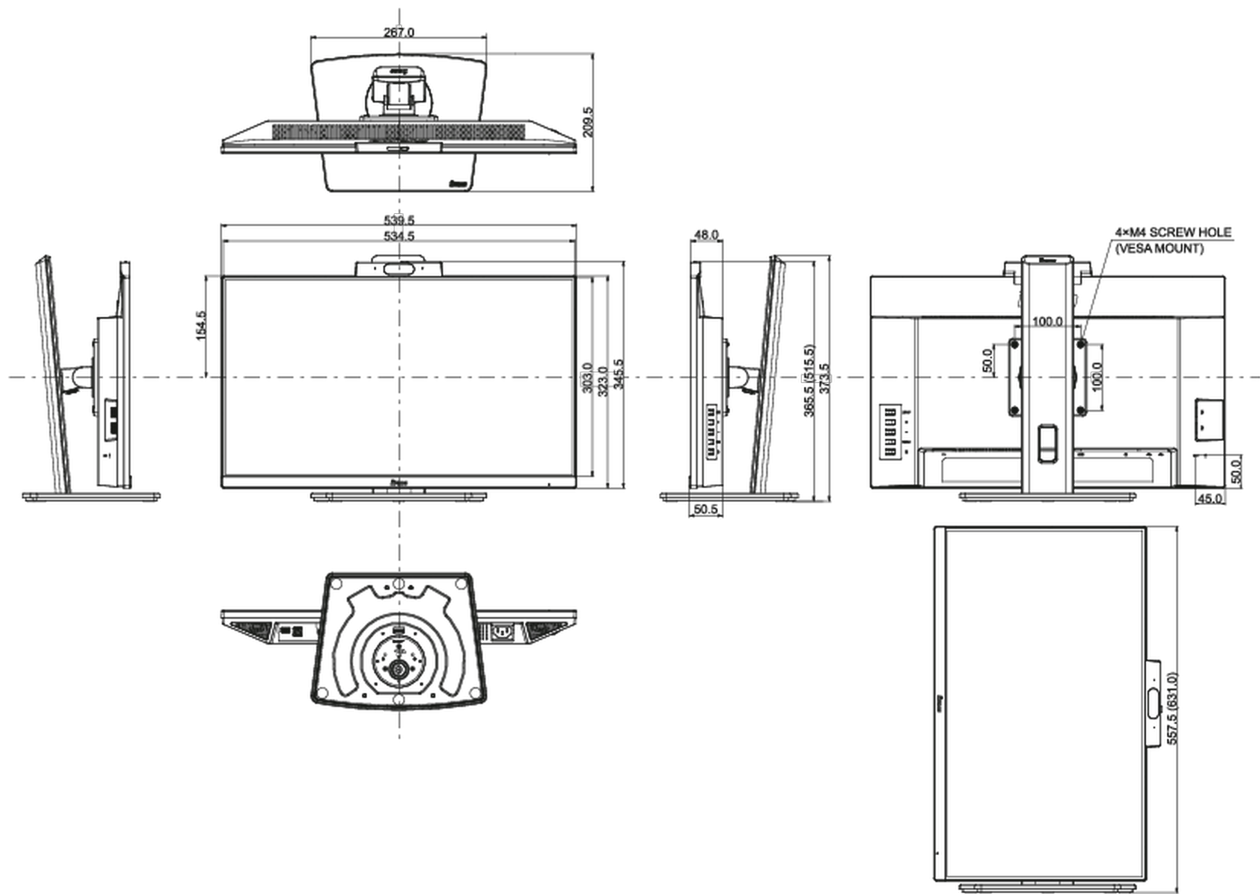
Power supply unit	internal
Power supply	AC 100 - 240V, 50/60Hz
Power usage	14W default, 0.5W stand by, 0.3W off mode

07 SUSTAINABILITY

Regulations	TCO Certified, CE, TÜV-Bauart, EAC, VCCI-B, PSE, RoHS support, ErP, WEEE, REACH, UKCA
Energy efficiency class (Regulation (EU) 2017/1369)	D
EPEAT	*registration varies by country, go to www.epeat.net for details
REACH SVHC	above 0.1%: Lead

08 DIMENSIONS / WEIGHT

Product dimensions W x H x D	539.5 x 365.5 (515.5) x 209.5mm
Box dimensions W x H x D	610 x 410 x 159mm
Weight (without box)	5kg
Weight (with box)	6.6kg
EAN code	4948570123186



All trademarks and registered trademarks acknowledged. E & O E. Specification subject to change without notice. All LCD's comply with ISO-9241-307:2008 in connection with pixel defects.

© IIYAMA CORPORATION. ALL RIGHTS RESERVED