



**24" QHD IPS technology panel with USB hub, 100Hz refresh rate and height adjustable stand**

Stylish edge-to-edge design makes the ProLite XUB2492QSU offering QHD (2560x1440) resolution is perfect for multi-monitor set-ups. The IPS panel technology offers accurate and consistent colour reproduction with wide viewing angles. The 100Hz refresh rate together with FreeSync function provides an instant, tangible improvement in image smoothness. High contrast and brightness values mean the monitor will provide excellent performance for photographic and web design. Equipped with speakers, USB 3.2 hub, headphone socket, HDMI and DisplayPort connections, a blue light reducer function to reduce eye fatigue and an ergonomic 150mm height adjustable stand for optimal user comfort, make this 24" monitor a great choice for both multi-monitor configuration and office applications.

Available also with fixed stand : [ProLite XU2492HSU-B6](#)



IPS Technology

IPS technology offers higher contrast, darker blacks and much better viewing angles than standard TN technology. The screen will look good no matter what angle you look at it.



QHD

With true QHD 2560 x 1440p resolution your monitor is ready to display high definition images. This means you can accommodate more information on your screen, i.e. over 76% more in comparison to a 1920 x 1080 monitor.

## 01 DISPLAY CHARACTERISTICS

Design	3-side borderless
Diagonal	23.8", 60.5cm
Panel	IPS Panel Technology LED, matte finish
Native resolution	2560 x 1440 @100Hz (3.7 megapixel QHD)
Aspect ratio	16:9
Panel brightness	300 cd/m <sup>2</sup>
Static contrast	1000:1
Advanced contrast	80M:1
Response time (MPRT)	0.5ms
Viewing zone	horizontal/vertical: 178°/178°, right/left: 89°/89°, up/down: 89°/89°
Colour support	16.7mIn (sRGB: 99%; NTSC: 72%)
Horizontal Sync	30 - 155kHz
Viewable area W x H	527 x 296mm, 20.7 x 11.7"
Pixel pitch	0.206mm
Colour	matte, black

## 02 INTERFACES / CONNECTORS / CONTROLS

Signal input	HDMI x1 DisplayPort x1
USB HUB	x3 (x3 (2x v3.2 Gen1 (5Gbps, 4,5W) 1x Type C (5Gbps, 15W)))
HDCP	yes
Headphone connector	yes

## 03 FEATURES

Blue light reducer	yes
Flicker free	yes
Adaptive Sync support	yes
Extra	i-Style colour
OSD languages	EN, DE, FR, IT, RU, JP, CZ, NL, PL
Control buttons	Power, Menu, Up / Volume, Down / Eco, Input / Exit
User controls	colour settings (gamma, RGB range, colour temp.), image settings (video mode adjust, blue light reducer, sharp&soft, MBR, adaptive sync), OSD (OSD H. position, OSD V. position, OSD time, OSD background, OSD rotate, language, display), extra (reset, DDC/CI, signal select, LED, opening logo, USB BC, UP date for system)
Speakers	2 x 2W
Convenience	Kensington-lock™ prepared, DDC/CI, DDC2B, Mac OSX

## 04 MECHANICAL

Display position adjustments	height, swivel, tilt, pivot (rotation both sides)
Height adjustment	150mm
Rotation (PIVOT function)	90°
Swivel stand	90°; 45 ° left; 45° right
Tilt angle	23° up; 5° down
VESA mounting	100 x 100mm

Cable management system yes

## 05 ACCESSORIES INCLUDED

Cables power, USB, HDMI, DP

Other quick start guide, safety guide

## 06 POWER MANAGEMENT

Power supply unit internal

Power supply AC 100 - 240V, 50/60Hz

Power usage 25W typical, 0.5W stand by, 0.3W off mode

## 07 SUSTAINABILITY

Regulations CE, TÜV-Bauart, EAC, VCCI-B, PSE, RoHS support, ErP, WEEE, REACH, UKCA

Energy efficiency class (Regulation (EU) 2017/1369) F

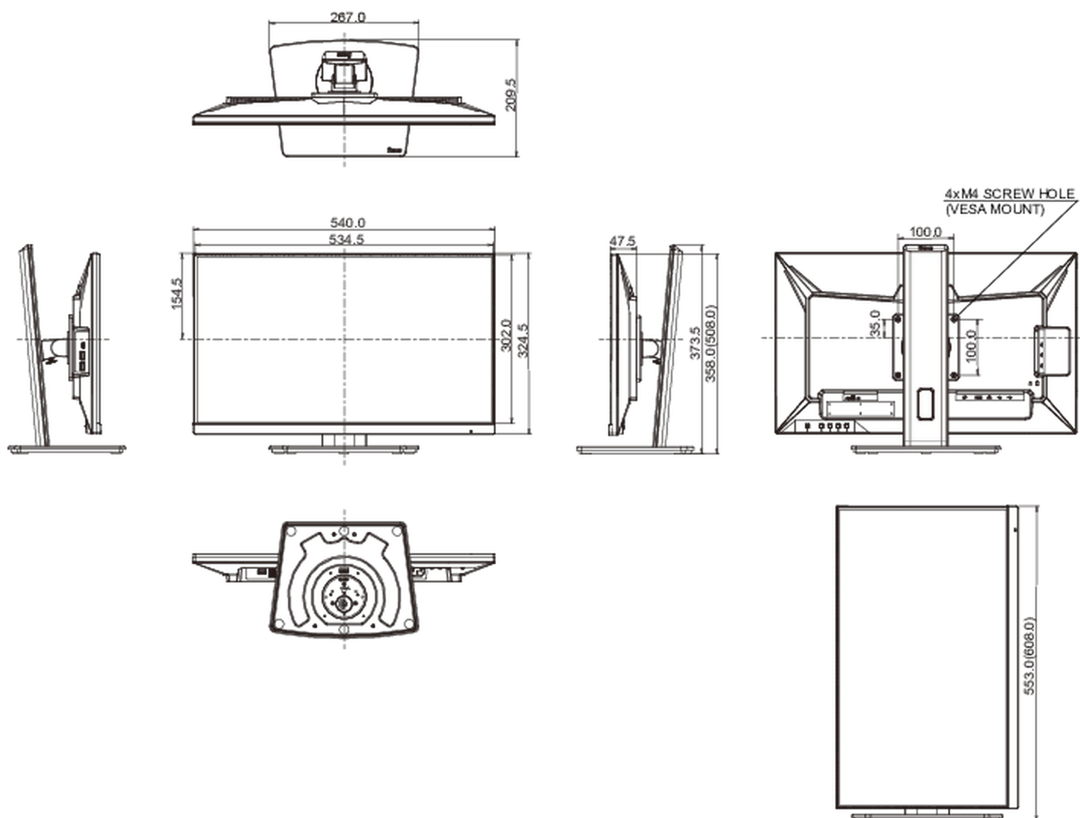
REACH SVHC above 0.1%: Lead

## 08 DIMENSIONS / WEIGHT

Product dimensions W x H x D 540 x 358 (508) x 209.5mm

Weight (without box) 5.9kg

EAN code 4948570123179



*All trademarks and registered trademarks acknowledged. E & O E. Specification subject to change without notice. All LCD's comply with ISO-9241-307:2008 in connection with pixel defects.*

© IIYAMA CORPORATION. ALL RIGHTS RESERVED