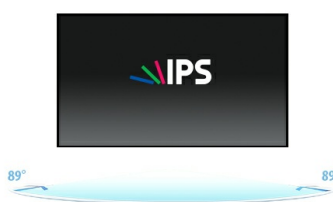


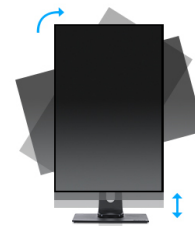
22.5" 1920 x 1200 monitor featuring IPS panel technology and a height adjustable stand

The demanding data and application-heavy world needs a display that creates a more productive work place. With 1920 x 1200 resolution, the XUB2395WSU offers 11% more height with the same width as a Full HD display, which works much better for spreadsheets, word documents and browsing the Internet. The height adjustable stand with PIVOT function allows you to easily adjust the monitor position to your preferences and the IPS panel technology assures accurate and consistent colour reproduction with wide viewing angles.



IPS

IPS displays are best known for wide viewing angles and natural, highly accurate colours. They are especially suited for colour-critical applications.



HAS (150mm) + PIVOT

With a height adjustable stand you will create an ergonomic work posture and position that meets all health and safety requirements. This will not only prevent any health issues but will also increase your productivity. The pivot function allows the screen to rotate from landscape to portrait orientation. This functionality can be useful if the application requires more height than width.

01 DISPLAY CHARACTERISTICS

| | |
|---------------------|---|
| Design | 3-side borderless |
| Diagonal | 22.5", 57cm |
| Panel | IPS LED, matte finish |
| Native resolution | 1920 x 1200 (2.3 megapixel WUXGA) |
| Aspect ratio | 16:10 |
| Panel brightness | 250 cd/m ² |
| Static contrast | 1000:1 |
| Advanced contrast | 5M:1 |
| Response time (GTG) | 4ms |
| Viewing zone | horizontal/vertical: 178°/178°, right/left: 89°/89°, up/down: 89°/89° |
| Colour support | 16.7mIn (sRGB: 99%, NTSC: 72%) |
| Horizontal Sync | 48 - 75kHz |
| Viewable area W x H | 488.2 x 297.2mm, 19.2 x 11.7" |
| Pixel pitch | 0.254x0.248mm |
| Colour | matte, black |

02 INTERFACES / CONNECTORS / CONTROLS

| | |
|---------------------|--|
| Signal input | VGA x1 (max. 1920 x 1200 @60Hz) HDMI x1 (max. 1920 x 1200 @60Hz) DisplayPort x1 (max. 1920 x 1200 @75Hz) |
| USB HUB | x2 (v. 2.0 (DC5V, 500mA)) |
| HDCP | yes |
| Headphone connector | yes |

03 FEATURES

| | |
|-----------------------|--|
| Blue light reducer | yes |
| Flicker free | yes |
| Adaptive Sync support | DisplayPort |
| Extra | i-Style Colour |
| OSD languages | EN, DE, FR, RU, JP, NL, PL |
| Control buttons | Auto / Signal Select, -/ECO, +/-Volume, Menu, Power |
| User controls | luminance (contrast, brightness, i-Style colour, ACR, Eco), image settings (pixel clock, phase, H. position, V. position, aspect ratio), colour settings (gamma, 6-axis, colour temp.), OSD (H. position, V. position, OSD timeout, language), extra (reset, DDC/CI, signal select, OD, audio source, opening logo, FreeSync, information) |
| Speakers | 2 x 2W |
| Convenience | Kensington-lock™ prepared, DDC/CI, DDC2B, Mac OSX |

04 MECHANICAL

| | |
|------------------------------|---|
| Display position adjustments | height, swivel, tilt, pivot (rotation both sides) |
| Height adjustment | 150mm |
| Rotation (PIVOT function) | 90° |
| Swivel stand | 90°; 45° left; 45° right |
| Tilt angle | 23° up; 5° down |
| VESA mounting | 100 x 100mm |

Cable management system

yes

05 ACCESSORIES INCLUDED

Cables

power, USB, DP

Other

quick start guide, safety guide

06 POWER MANAGEMENT

Power supply unit

internal

Power supply

AC 100 - 240V, 50/60Hz

Power usage

24W typical, 0.5W stand by, 0.3W off mode

07 SUSTAINABILITY

Regulations

TCO Certified, CE, TÜV-Bauart, EAC, VCCI-B, PSE, RoHS support, ErP, WEEE, REACH, UKCA

Energy efficiency class (Regulation (EU) 2017/1369)

E

REACH SVHC

above 0.1%: Lead

08 DIMENSIONS / WEIGHT

Product dimensions W x H x D

499 x 353 (503.5) x 209.5mm

Weight (without box)

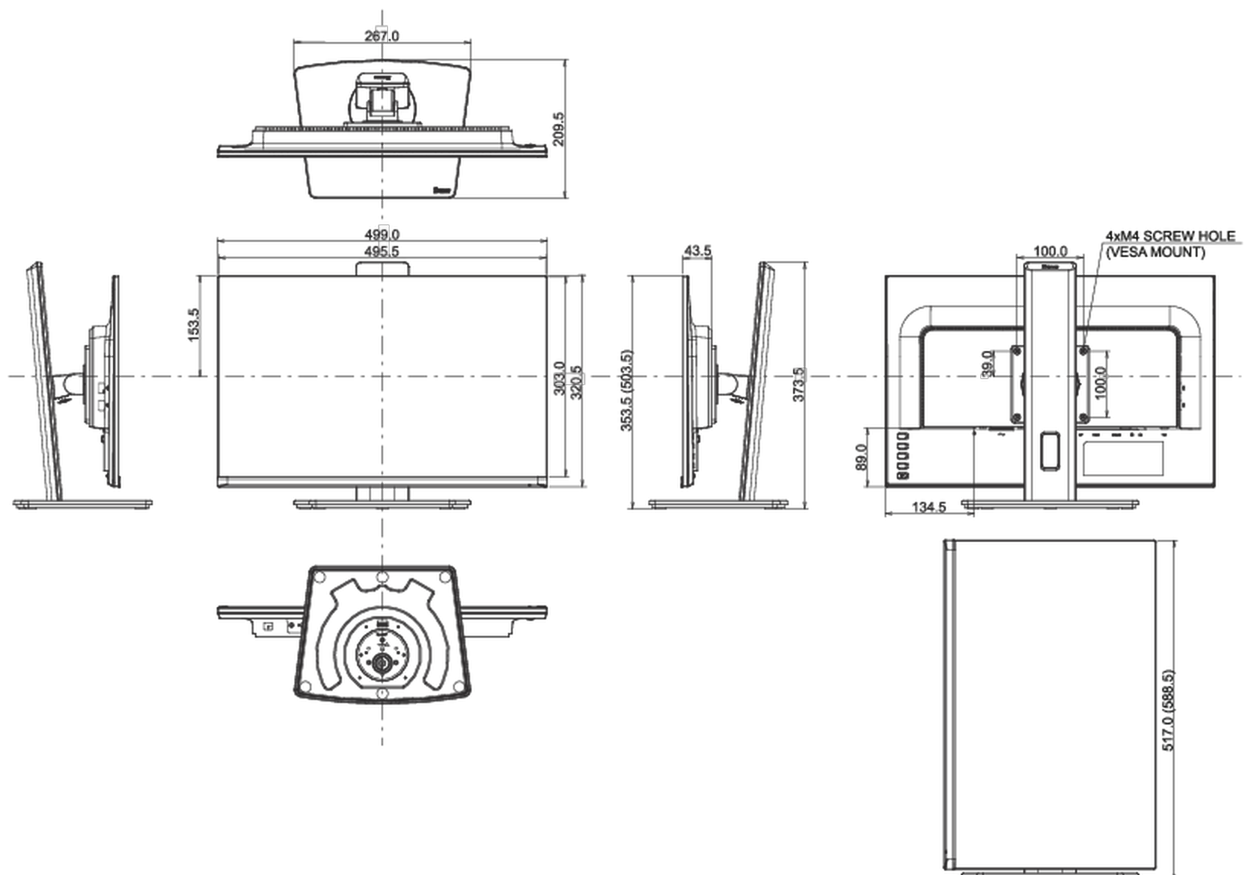
4.5kg

Weight (with box)

6kg

EAN code

4948570121458



All trademarks and registered trademarks acknowledged. E & O E. Specification subject to change without notice. All LCD's comply with ISO-9241-307:2008 in connection with pixel defects.

© IIYAMA CORPORATION. ALL RIGHTS RESERVED