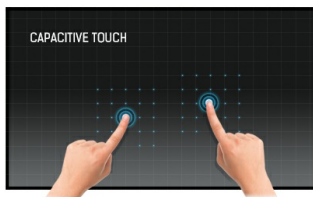




## 15.6" PCAP 10 points multi-touch open frame monitor with edge-to-edge glass and IPS panel technology

The ProLite TF1633MSC-B1 uses projective capacitive touch technology, built into an eye catching bezel with edge-to-edge glass. The screen guarantees high durability, scratch-resistance, clarity and a perfect picture performance. Featuring IPS Panel Technology and Full HD (1920x1080) resolution, it offers natural, highly accurate colours and wide viewing angles. The integrated cable management system hides all the cables. In addition to the superb image quality, the screen comes with an IP54 rating, which means the screen and bezel is dust and water resistant from the front. A perfect solution for kiosk integrators and Instore Retail.



### Touch technology - Capacitive

This technology uses a sensor-grid of micro-fine wires integrated into the glass that covers the screen. Touch is detected because electrical characteristics of the sensor grid change when human finger is placed on the glass. Thanks to the glass overlay this technology is highly durable, and the touch function remains unaffected even if the glass is scratched. It offers perfect picture performance and will work with human finger (also latex gloved) and stylus-pen.



### Scratch resistance

Scratch resistance is essential for touch solutions used in public places and schools. This is achieved thanks to a glass overlay covering the screen. It guarantees high durability of the touch function and even more importantly the touch function remains unaffected even if the glass is scratched.

## 01 DISPLAY CHARACTERISTICS

Design	Edge to edge glass
Diagonal	15.6", 39.5cm
Panel	IPS
Native resolution	1920 x 1080 @60Hz (2.0 megapixel)
Aspect ratio	16:9
Panel brightness	450 cd/m <sup>2</sup>
Brightness	385 cd/m <sup>2</sup> with touch
Light transmittance	85%
Static contrast	1000:1
Response time (GTG)	5ms
Viewing zone	horizontal/vertical: 178°/178°, right/left: 89°/89°, up/down: 89°/89°
Colour support	16.7mln
Horizontal Sync	30 - 68kHz
Viewable area W x H	344.2 x 193.6mm, 13.6 x 7.6"
Pixel pitch	0.179mm
Bezel colour and finish	black, matte
Reommended usage	retail

## 02 TOUCH

Touch technology	projective capacitive
Touch points	10 (HID, only with supported OS)
Touch method	stylus, finger, glove (latex)
Palm rejection	yes

## 03 INTERFACES / CONNECTORS / CONTROLS

Digital signal input	HDMI x1 DisplayPort x1
Audio output	Speakers 2 x 2W
HDCP	yes
USB HUB	x2 (2.0 (DC5V, 500mA))

## 04 FEATURES

Water and dust protection	IP54 (front)
OSD key lock	yes

## 05 GENERAL

OSD languages	EN, DE, FR, ES, IT, PT, CN, RU, JP, CZ, NL, PL
Control buttons	Power, Menu, Volume +, Volume -, Input
User controls	Luminance (contrast, brightness, i-Style color, adv. contrast, overdrive), image setup (aspect ratio), color temp., OSD setup (H. position, V. position, timeout, language, touch wake up), extra (input select, DDC/CI, reset, opening logo, LED, volume, information)
Convenience	Kensington-lock™ prepared
Blue light reducer	yes

Plug&Play	DDC2B
-----------	-------

## 06 MECHANICAL

Tilt angle	90° up; 5° down
Fanless design	yes
VESA mounting	100 x 100mm
Cable management system	yes
MTBF	50 000 hours (excluding backlight)

## 07 ACCESSORIES INCLUDED

Cables	power, USB, HDMI
Guides	quick start guide, safety guide
Other	AC adapter
Cable cover	yes

## 08 POWER MANAGEMENT

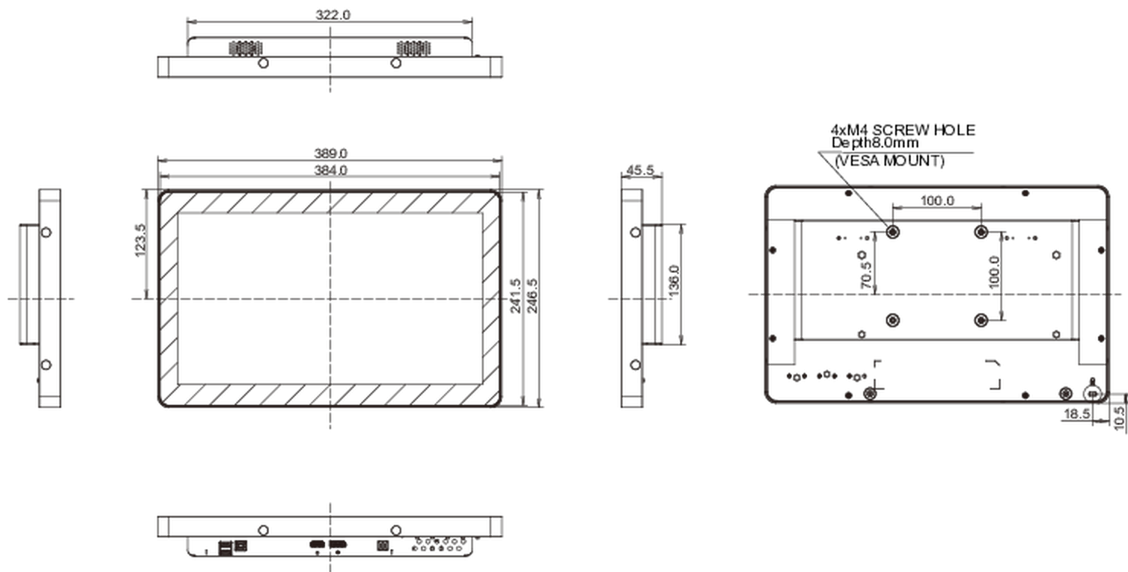
Power supply unit	external
Power supply	DC 12 V
Power usage	12W typical, 8W stand by, 0.5W off mode

## 09 SUSTAINABILITY

Regulations	CE, TÜV-Bauart, EAC, RoHS support, ErP, WEEE, REACH, UKCA
Energy efficiency class (Regulation (EU) 2017/1369)	C
REACH SVHC	above 0.1%: Lead

## 10 DIMENSIONS / WEIGHT

Product dimensions W x H x D	389 x 246.5 x 45.5mm
Box dimensions W x H x D	475 x 343 x 169mm
Weight (without box)	2kg
Weight (with box)	3.9kg
EAN code	4948570122530



All trademarks and registered trademarks acknowledged. E & O E. Specification subject to change without notice. All LCD's comply with ISO-9241-307:2008 in connection with pixel defects.

© IYAMA CORPORATION. ALL RIGHTS RESERVED