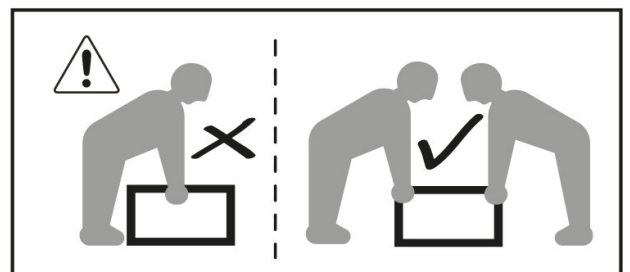
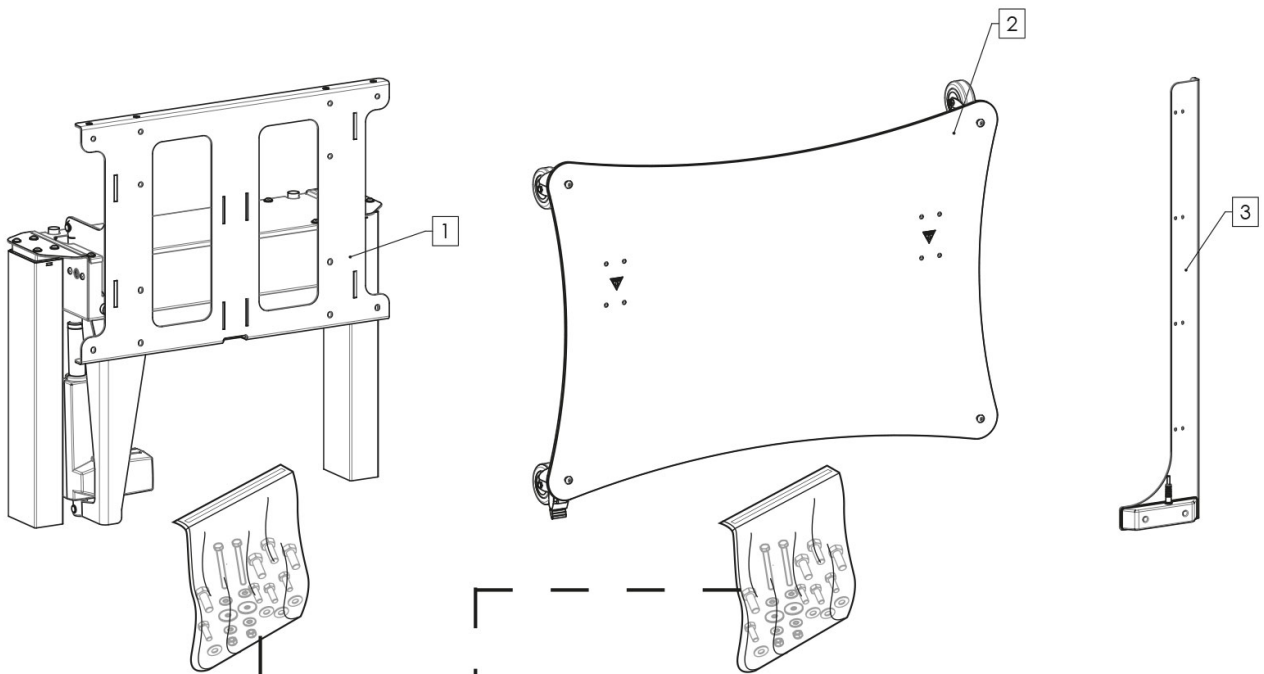
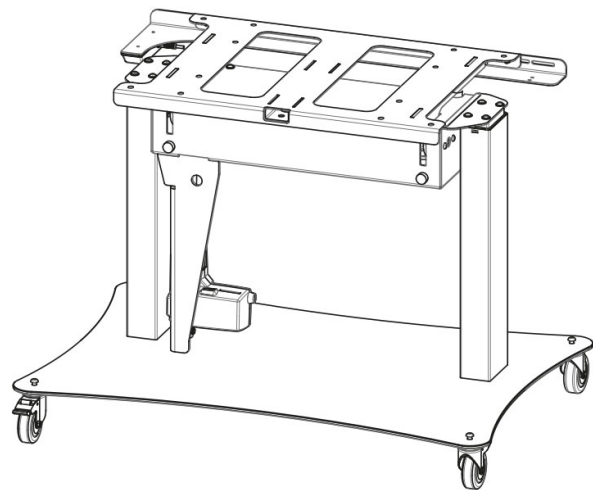


MD 062B7650

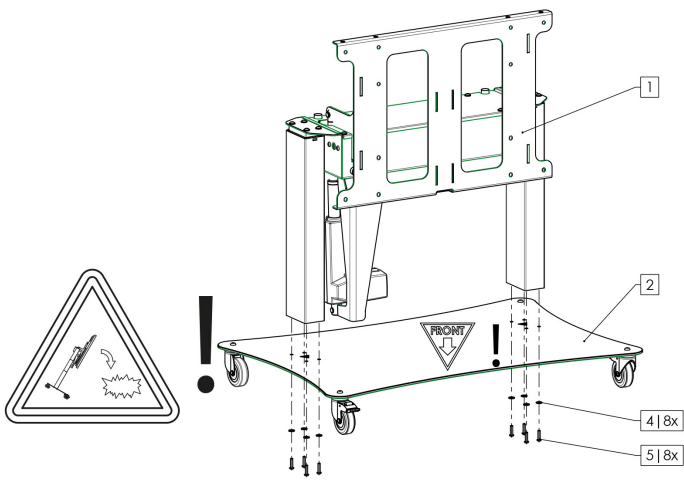


- 4 | M6 | 10x
- 5 | M6x20 | 8x
- 6 | M6x16 | 2x

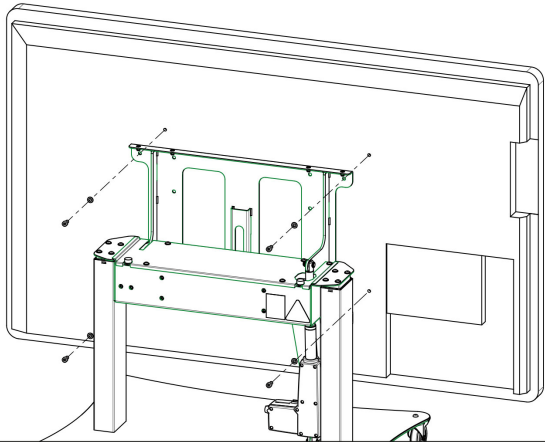
- 7 | M6 | 4x
- 8 | M8 | 4x
- 9 | M6x12 | 4x
- 10 | M8x12 | 4x
- 11 | M8x16 | 4x

- 12 | Ty-rap | 5x
- 13 | 5x

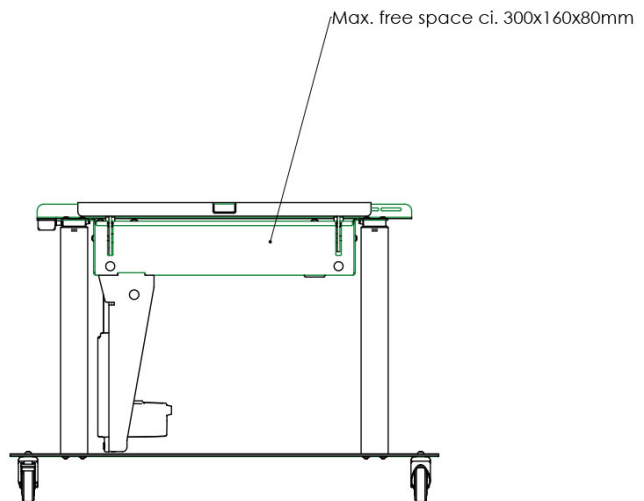
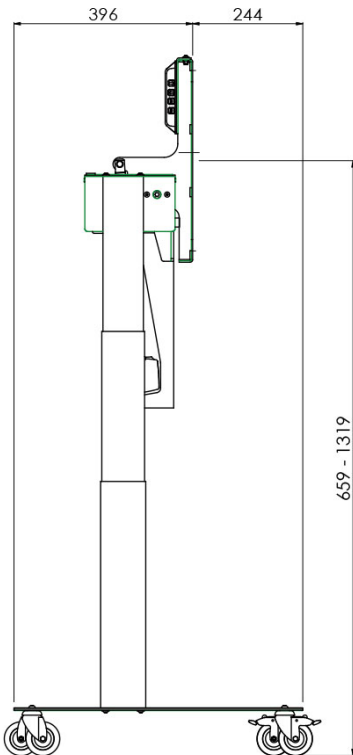
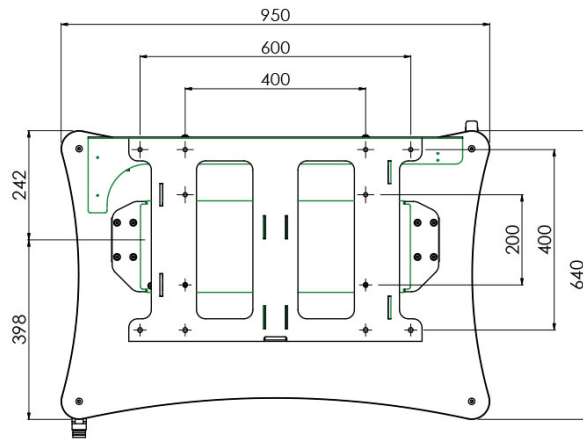
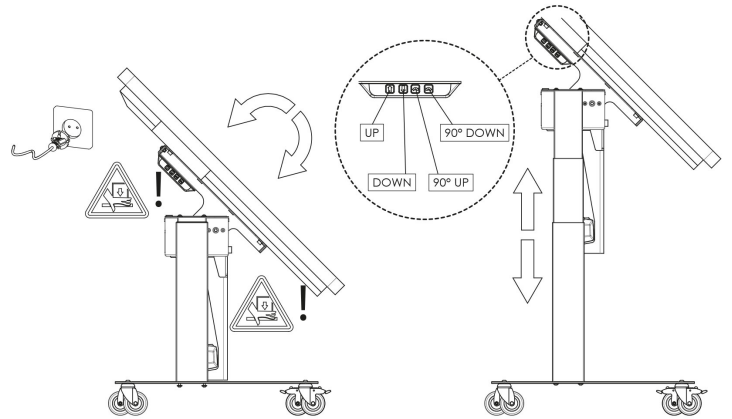
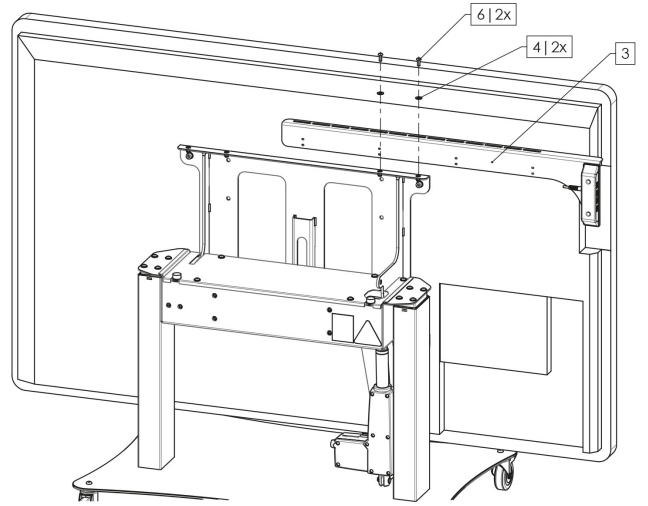
1



Max 60kg!
Pos. 7 - 13

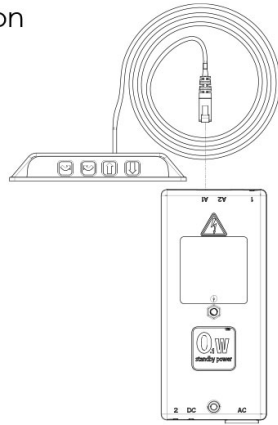


2

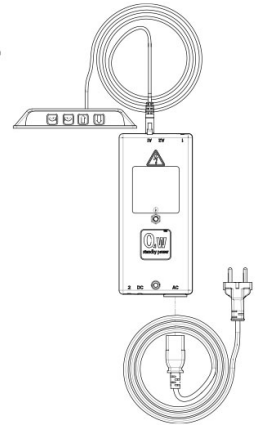


INSTRUCTIONS RESET CONTROLBOX

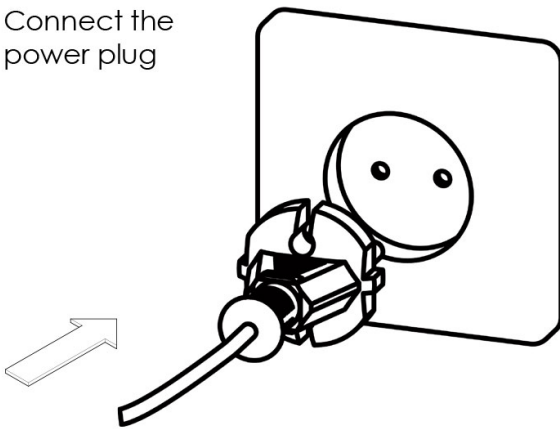
- 1** Check the connection from the remote to the controlbox



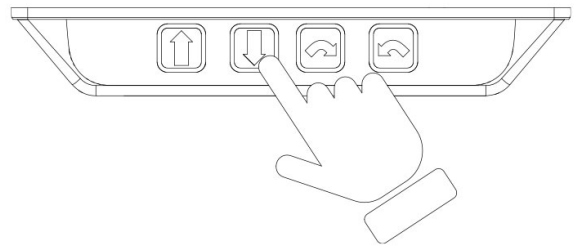
- 2** Check the connection from the power plug to the controlbox



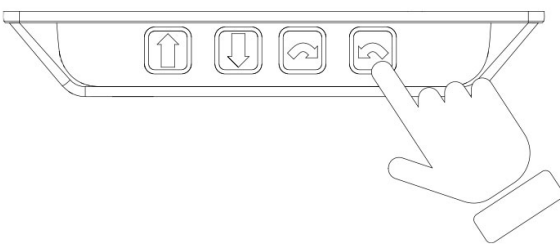
- 3** Connect the power plug



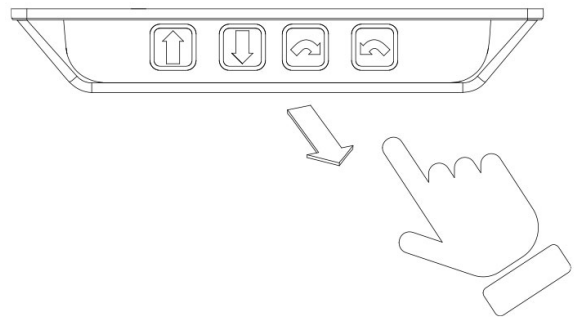
- 4** Move to lowest position



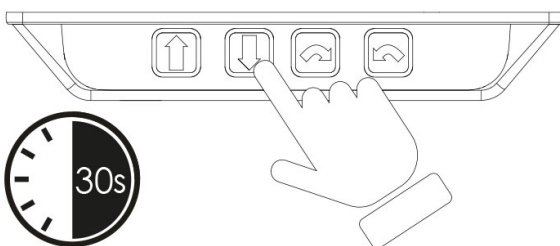
- 5** Push until end of horizontal position



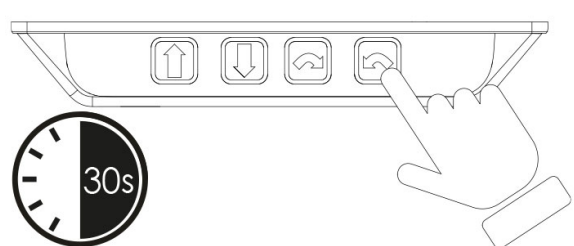
- 6** Release the button



- 7** Push the down button for 30 sec

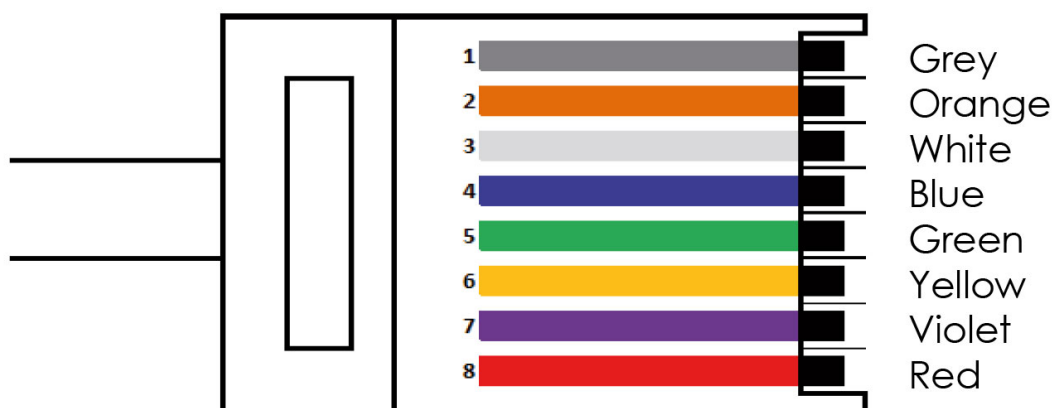


- 8** Push the down button for 30 sec

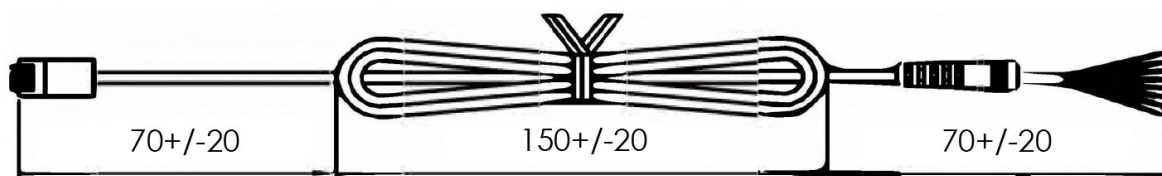


WIRING DIAGRAM

RJ45 8 pins control cable



Cable wire color	Function	RJ45 8 Pin plug no.
Blue + Green	Reference 1 Up	RJ45 Pin 4 + 5
Blue + Red	Reference 1 Down	RJ45 Pin 4 + 8
White + Green	Reference 2 Up	RJ45 Pin 3 + 5
White + Red	Reference 2 Down	RJ45 Pin 3 + 8
Orange + Green	Reference 3 Up	RJ45 Pin 2 + 5
Orange + Red	Reference 3 Down	RJ45 Pin 2 + 8



L = 1700 mm +/- 70 mm

